

MB Series Motor Brake

MB-1225 Flange Mounted Heavy Duty

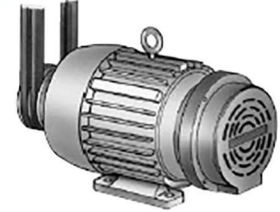
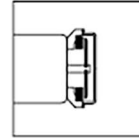
Model	Function	Mounting
MB-1225	Motor Brake	Normal Duty

NEMA Frame Sizes	Dim. D
284C & 286C or TC	7
324C & 326C or TC	8
364C & 365C or TC	9

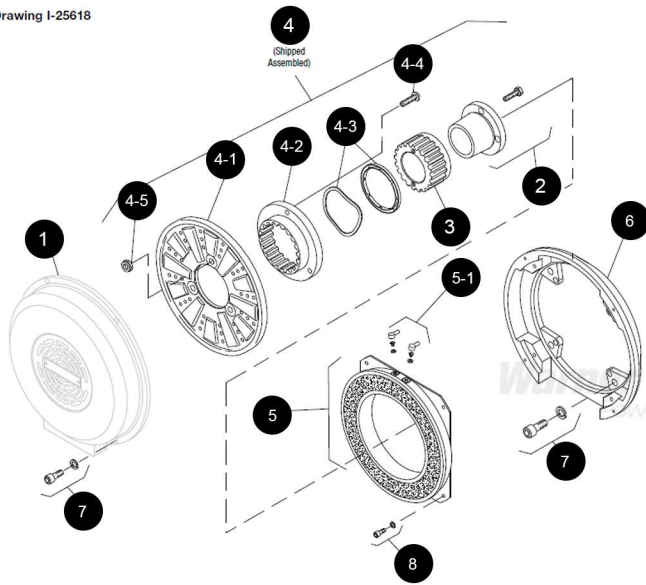


Application

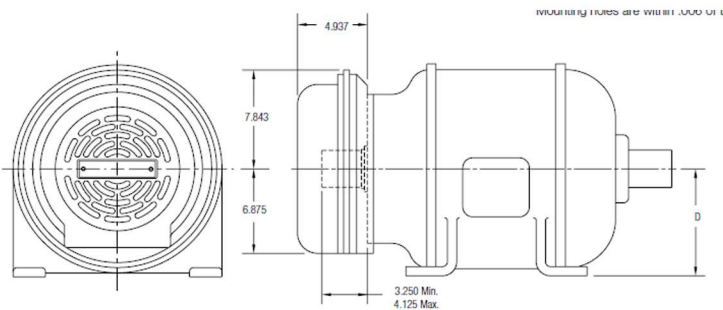
A motor brake mounts directly on the end bell of a double shafted motor.



Drawing I-25618



Item	Description	Part Number	Qty.
1	Cover	5353-288-001	N/A
2	Bushing*		1
	3/4" to 2-11/16" Bore	180-0026 to 180-0057	
3	Armature Hub	540-0064	1
4	Armature Assembly	5323-111-001	1
4-1	Armature	5323-111-034	1
4-2	Splined Adapter	104-0010	1
4-3	Autogap Accessory	5323-101-002	1
4-4	Screw	797-0281	4
4-5	Locknut	661-0005	4
5	Magnet	5353-631-001	1
5-1	Terminal Accessory	5311-101-001	1
6	Adapter	5353-105-002	1
7	Mounting Accessory	5351-101-003	2
8	Mounting Accessory	5321-101-002	1



Coil Data

Unit Size	PB & MB-1225		
Voltage — DC	6	24	90
Resistance @ 20°C — Ohms	1.33	22.3	261.7
Current — Amperes	4.5	1.08	.34
Watts	27	26	31
Coil Build-up — Milliseconds	300	320	350
Coil Decay — Milliseconds	190	190	190

Weights and Inertia

Unit Size	MB-1225	
	Wt. (lbs.)	Inertia (lbs.ft. ²)
Magnet.....	18.557
Armature & Pins.....	10.84	1.7
Armature Hub.....	6.716	.380
Bushing: Max. Bore to ..	1.553	.022
Min. Bore to ..	3.575	.031
Cover.....	6.0
Adapter.....	7.0

Bushing Part Numbers

Shaft Size	Keyway Size	Bushing Number		Shaft Size	Keyway Size	Bushing Number	
		Warner Electric	Warner Electric			Warner Electric	Warner Electric
3/4	3/16 x 3/32	180-0026	180-0046	2	1/2 x 1/4	180-0046	180-0046
13/16	3/16 x 3/32	180-0027	180-0047	2 1/16	1/2 x 1/4	180-0047	180-0047
7/8	3/16 x 3/32	180-0028	180-0048	2 1/8	1/2 x 1/4	180-0048	180-0048
15/16	1/4 x 1/8	180-0029	180-0049	2 3/16	1/2 x 1/4	180-0049	180-0049
1	1/4 x 1/8	180-0030	180-0050	2 1/4	1/2 x 1/4	180-0050	180-0050
1 1/16	1/4 x 1/8	180-0031	180-0051	2 5/16	5/8 x 5/16	180-0051	180-0051
1 1/8	1/4 x 1/8	180-0032	180-0052	2 3/8	5/8 x 5/16	180-0052	180-0052
1 3/16	1/4 x 1/8	180-0033	180-0053	2 7/16	5/8 x 5/16	180-0053	180-0053
1 1/4	1/4 x 1/8	180-0034	180-0054	2 1/2	5/8 x 5/16	180-0054	180-0054
1 5/16	5/16 x 5/32	180-0035	180-0055	2 9/16	5/8 x 5/16	180-0055	180-0055
1 3/8	5/16 x 5/32	180-0036	180-0056	2 5/8	5/8 x 5/16	180-0056	180-0056
1 7/16	3/8 x 3/16	180-0037	180-0057	2 11/16	5/8 x 5/16	180-0057	180-0057
1 1/2	3/8 x 3/16	180-0038					
1 9/16	3/8 x 3/16	180-0039					
1 5/8	3/8 x 3/16	180-0040					
1 11/16	3/8 x 3/16	180-0041					
1 3/4	3/8 x 3/16	180-0042					
1 13/16	1/2 x 1/4	180-0043					
1 7/8	1/2 x 1/4	180-0044					
1 15/16	1/2 x 1/4	180-0045					

All pictures shown are for illustration purposes only, Please refer to Catalog / Users Manual for more information.