

MB Series Motor Brake

MB-825 Flange Mounted Heavy Duty

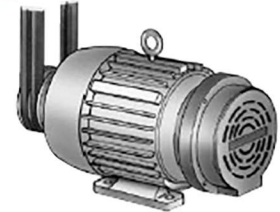
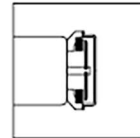
Model	Function	Mounting
MB-825	Motor Brake	Heavy Duty

NEMA Frame Sizes	Dim. D
213C & 215C or TC	5.250
254C & 256C or TC	6.250

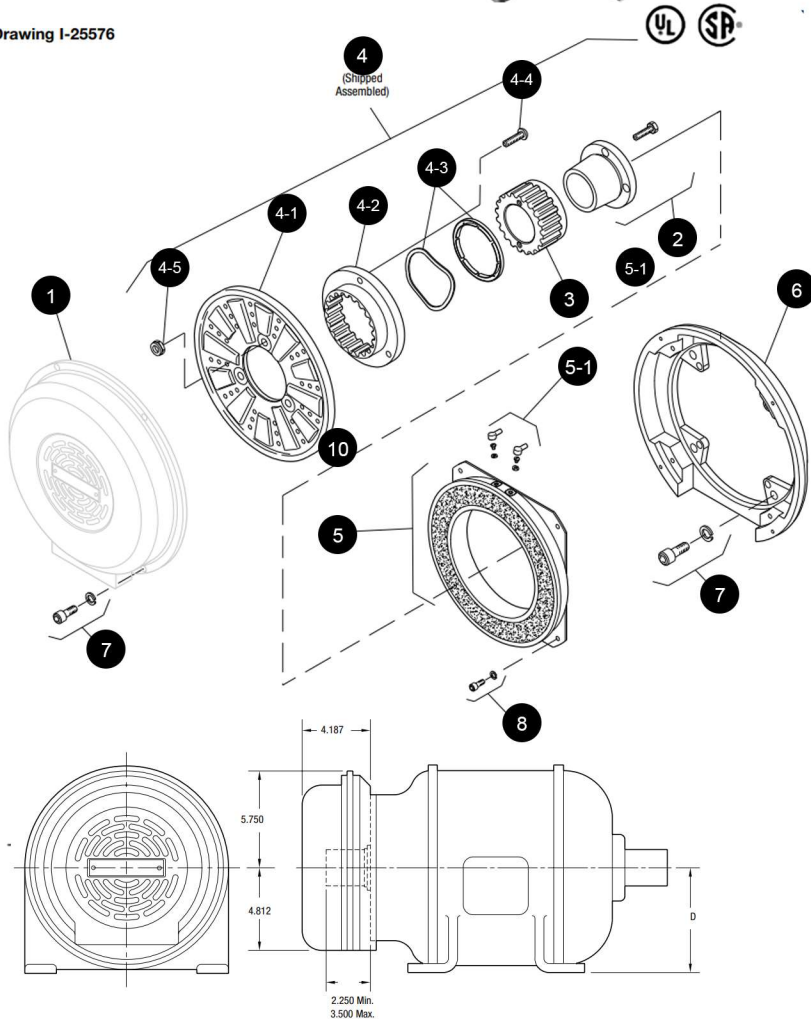


Application

A motor brake mounts directly on the end bell of a double shafted motor.



Drawing I-25576



Item	Description	Part Number	Qty.
1	Cover	5351-288-001	N/A
2	Bushing*	180-0002 to 180-0018	1
3	Armature Hub	540-0057	1
4	Armature Assembly	5321-111-001	1
4-1	Armature	5321-111-022	1
4-2	Splined Adapter	104-0008	1
4-3	Autogap Accessory	5321-101-006	1
4-4	Screw	797-0272	3
4-5	Locknut	661-0004	3
5	Magnet	5351-631-001	1
5-1	Terminal Accessory	5311-101-001	1
6	Adapter	5351-105-001	1
7	Mounting Accessory	5351-101-003	1
8	Mounting Accessory	5321-101-002	1

Bushing Part Numbers

Shaft Size	Keyway Size	Warner Electric
1/2	1/8 x 1/16	180-0002
9/16	1/8 x 1/16	180-0003
5/8	3/16 x 3/32	180-0004
11/16	3/16 x 3/32	180-0005
3/4	3/16 x 3/32	180-0006
13/16	3/16 x 3/32	180-0007
7/8	3/16 x 3/32	180-0008
15/16	1/4 x 1/8	180-0009
1	1/4 x 1/8	180-0010
1 1/16	1/4 x 1/8	180-0011
1 1/8	1/4 x 1/8	180-0012
1 3/16	1/4 x 1/8	180-0013
1 1/4	1/4 x 1/8	180-0014
1 5/16	5/16 x 5/32	180-0015
1 3/8	5/16 x 5/32	180-0016
1 7/16	3/8 x 3/16	180-0017
1 1/2	3/8 x 3/16	180-0018

Coil Data

Unit Size	PB & MB-825		
Voltage — DC	6	24	90
Resistance @ 20°C — Ohms	1.27	20.4	223.3
Current — Amperes	4.74	1.18	.4
Watts	28	28	36
Coil Build-up — Milliseconds	170	170	170
Coil Decay — Milliseconds	70	75	80

Weights and Inertia

Unit Size	MB-825	
	Wt. (lbs.)	Inertia (lbs.ft. ²)
Magnet.....	7.780
Armature & Pins.....	4.783	.323
Armature Hub.....	1.857	.043
Bushing: Max. Bore to.....	.600	.004
Min. Bore.....	1.276	.005
Cover.....	3.687
Adapter.....	3.5

All pictures shown are for illustration purposes only, Please refer to Catalog / Users Manual for more information.