

PB Series Brake

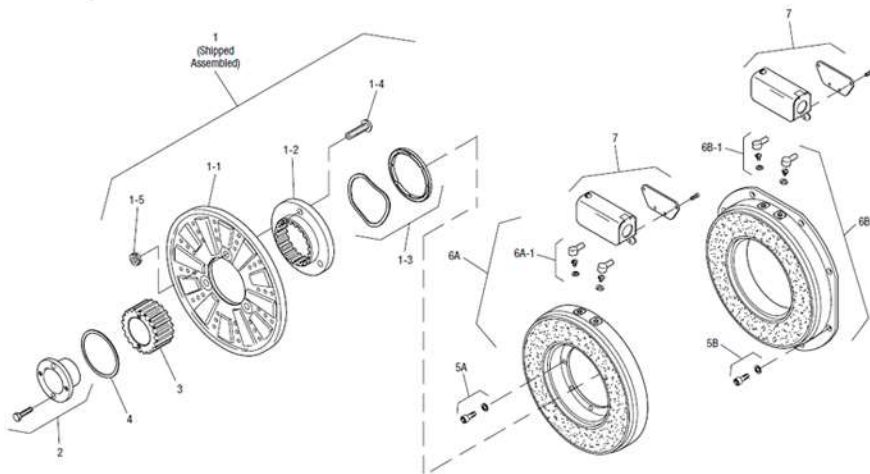
PB-1000 Heavy Duty



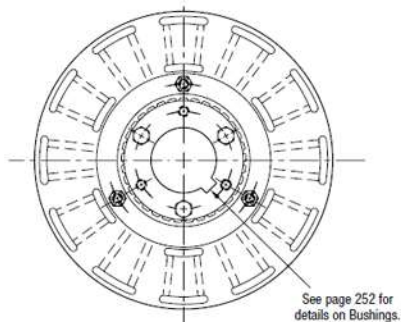
Unit Size	PB-1000, H.D.	
	Wt. (lbs.)	Inertia (lbs.ft. ²)
Magnet.....	10.549
Armature & Splined Adapter...	6.84	.667
Splined Hub	3.547	.077
Bushing - Spline Hub		
Max. Bore to.....	2.064	.033
Min. Bore.....	4.171	.048

Drawing I-25587

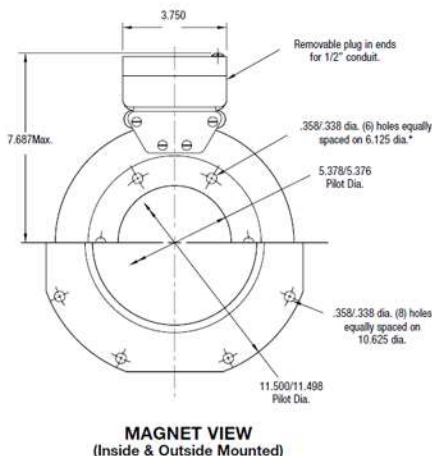
PB-1000 Heavy Duty



Item	Description	Part Number	Qty.
1	Armature Assembly	5322-111-002	1
1-1	Armature	5322-111-036	1
1-2	Splined Adapter	104-0009	1
1-3	Autogap Accessory	5322-101-004	1
1-4	Screw	797-0272	3
1-5	Locknut	661-0004	3
2	Bushing*		1
	3/4" to 2-11/16" Bore	180-0026 to 180-0057	
3	Splined Hub	540-0062	1
4	Retainer Ring	748-0007	1
5A	Mounting Accessory - I.M.	5321-101-001	1
5B	Mounting Accessory - O.M.	5321-101-002	2
6A	Magnet - Inside Mounted		1
	6 Volt	5312-631-004	
	24 Volt	5312-631-005	
	90 Volt	5312-631-006	
	†90 Volt LK Facing	5312-631-001	
6A-1	Terminal Accessory	5311-101-001	1
6B	Magnet - Outside Mounted		1
	6 Volt	5312-631-011	
	24 Volt	5312-631-013	
	90 Volt	5312-631-012	
	†90 Volt LK Facing	5312-631-002	
Item	Description	Part Number	Qty.
6B-1	Terminal Accessory	5311-101-001	1
7	Conduit Box	5200-101-011	1



ARMATURE VIEW



MAGNET VIEW (Inside & Outside Mounted)

How to Order:

1. Specify Bore Size for Item 2.
2. Specify Inside Mounted for Items 5A and 6A or Outside Mounted for Items 5B and 6B.
3. Specify Voltage for Item 6A or 6B.
4. See Controls Section.

Bushing Part Numbers

Shaft Size	Keyway Size	Warner Electric
3/4	3/16 x 3/32	180-0026
13/16	3/16 x 3/32	180-0027
7/8	3/16 x 3/32	180-0028
15/16	1/4 x 1/8	180-0029
1	1/4 x 1/8	180-0030
1 1/16	1/4 x 1/8	180-0031
1 1/8	1/4 x 1/8	180-0032
1 3/16	1/4 x 1/8	180-0033
1 1/4	1/4 x 1/8	180-0034
1 5/16	5/16 x 5/32	180-0035
1 3/8	5/16 x 5/32	180-0036
1 7/16	3/8 x 3/16	180-0037
1 1/2	3/8 x 3/16	180-0038
1 9/16	3/8 x 3/16	180-0039
1 5/8	3/8 x 3/16	180-0040
1 11/16	3/8 x 3/16	180-0041
1 3/4	3/8 x 3/16	180-0042
1 13/16	1/2 x 1/4	180-0043
1 7/8	1/2 x 1/4	180-0044
1 15/16	1/2 x 1/4	180-0045
2	1/2 x 1/4	180-0046
2 1/16	1/2 x 1/4	180-0047
2 1/8	1/2 x 1/4	180-0048
2 3/16	1/2 x 1/4	180-0049
2 1/4	1/2 x 1/4	180-0050
2 5/16	5/8 x 5/16	180-0051
2 3/8	5/8 x 5/16	180-0052
2 7/16	5/8 x 5/16	180-0053
2 1/2	5/8 x 5/16	180-0054
2 9/16	5/8 x 5/16	180-0055
2 5/8	5/8 x 5/16	180-0056
2 11/16	5/8 x 5/16	180-0057