

# PB Series Brake

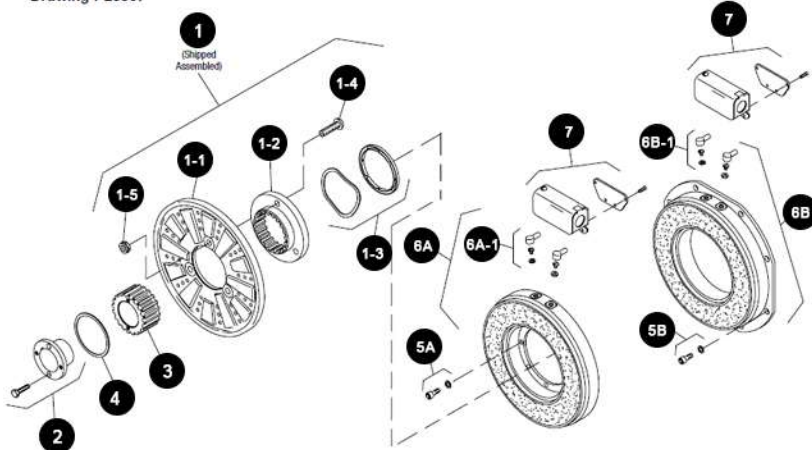
## PB-1000 Normal Duty



Unit Size	PB-1000, N.D.	
	Wt. (lbs.)	Inertia (lbs.ft. <sup>2</sup> )
Magnet.....	10.549	.....
Armature .....	6.0	.629
Armature Hub.....	3.860	.164
Bushing: Max. Bore to ..	1.553	.022
Min. Bore.....	3.575	.031

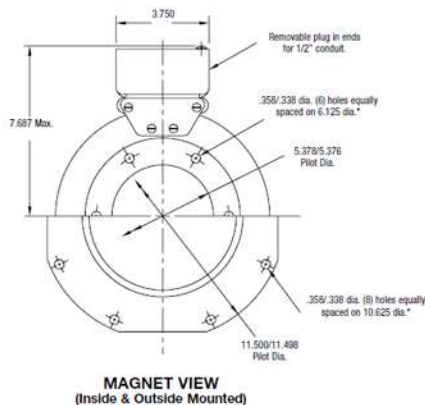
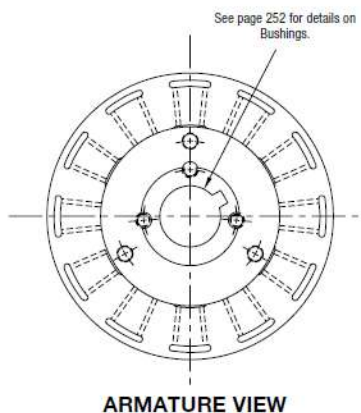
Item	Description	Part Number	Qty.
1	Bushing*		1
	1/2" to 2-1/2" Bore	180-0185 to 180-0217	
2	Armature Hub	540-0313	1
3	Armature	5302-111-013	1
4	Autogap Accessory	5201-101-008	3
5A	Mounting Accessory - I.M.	5321-101-001	1
5B	Mounting Accessory - O.M.	5321-101-002	2
6A	Magnet - Inside Mounted		1
	6 Volt	5312-631-004	
	24 Volt	5312-631-005	
	90 Volt	5312-631-006	
	†90 Volt LK Facing	5312-631-001	
6A-1	Terminal Accessory	5311-101-001	1
6B	Magnet, Outside Mounted		1
	6 Volt	5312-631-011	
	24 Volt	5312-631-013	
	90 Volt	5312-631-012	
	†90 Volt LK Facing	5312-631-002	

Drawing I-25567



PB-825 Heavy Duty

Item	Description	Part Number	Qty.
6B-1	Terminal Accessory	5311-101-001	1
7	Conduit Box	5200-101-011	1



### How to Order:

1. Specify Bore Size for Item 1.
2. Specify Inside Mounted for Items 5A and 6A or Outside Mounted for Items 5B and 6B.
3. Specify Voltage for Item 6A or 6B.
4. See Controls Section.

### Bushing Part Numbers

Shaft Size	Keyway Size	Bushing Num
		Warner Electric
1/2	1/8 x 1/16	180-0185
9/16	1/8 x 1/16	180-0186
5/8	3/16 x 3/32	180-0187
11/16	3/16 x 3/32	180-0188
3/4	3/16 x 3/32	180-0189
13/16	3/16 x 3/32	180-0190
7/8	3/16 x 3/32	180-0191
15/16	1/4 x 1/8	180-0192
1	1/4 x 1/8	180-0193
1-1/16	1/4 x 1/8	180-0194
1-1/8	1/4 x 1/8	180-0195
1-3/16	1/4 x 1/8	180-0196
1-1/4	1/4 x 1/8	180-0197
1-5/16	5/16 x 5/32	180-0198
1-3/8	5/16 x 5/32	180-0199
1-7/16	3/8 x 3/16	180-0200
1-1/2	3/8 x 3/16	180-0201
1-9/16	3/8 x 3/16	180-0202
1-5/8	3/8 x 3/16	180-0203
1-11/16	3/8 x 3/16	180-0204
1-3/4	3/8 x 3/16	180-0205
1-13/16	1/2 x 1/4	180-0206
1-7/8	1/2 x 1/4	180-0207
1-15/16	1/2 x 1/4	180-0208
2	1/2 x 1/4	180-0209
2-1/16	1/2 x 1/4	180-0210
2-1/8	1/2 x 1/4	180-0211
2-3/16	1/2 x 1/4	180-0212
2-1/4	1/2 x 1/4	180-0213
2-5/16	5/8 x 5/16	180-0214
2-3/8	5/8 x 5/16	180-0215
2-7/16	5/8 x 5/16	180-0216
2-1/2	5/8 x 5/16	180-0217