

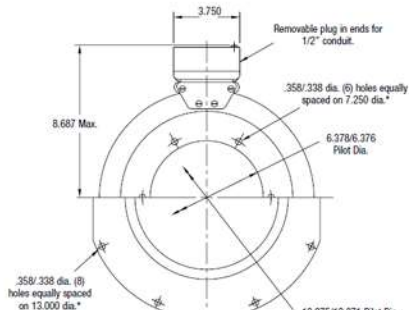
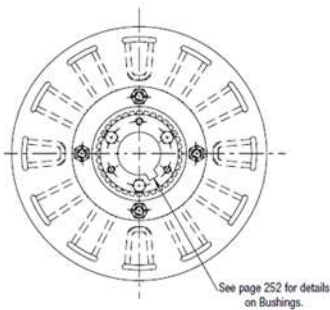
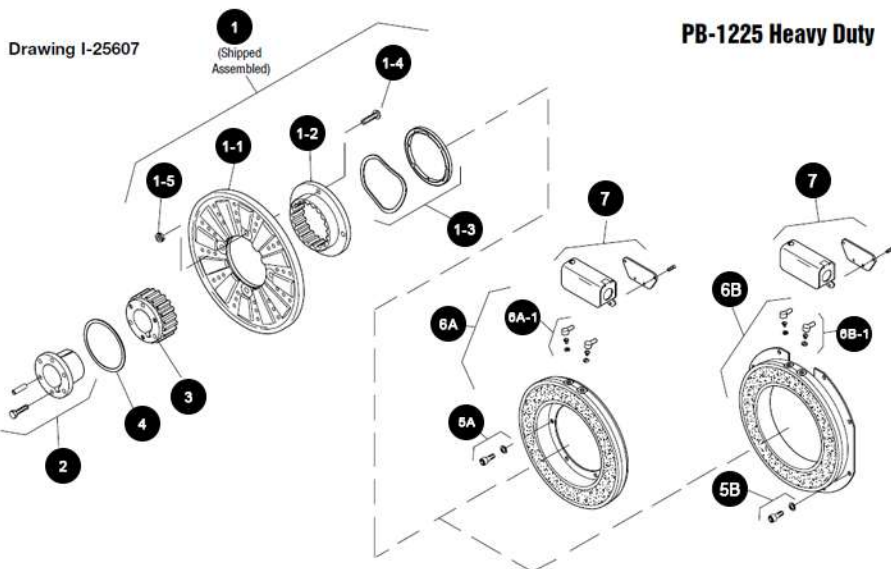
# PB Series Brake

## PB-1225 Heavy Duty



Unit Size	PB-1225, H.D.	
	Wt. (lbs.)	Inertia (lbs.ft. <sup>2</sup> )
Magnet.....	18.557	.....
Armature & Splined Adapter.....	13.317	1.737
Splined Hub .....	3.582	.077
Bushing - Spline Hub		
Max. Bore to.....	2.064	.033
Min. Bore.....	4.171	.048

Item	Description	Part Number	Qty.
1	Armature & Splined Adapter	5323-111-001	1
1-1	Armature	5323-111-034	1
1-2	Splined Adapter	104-0010	1
1-3	Autogap Accessory	5323-101-002	1
1-4	Screw	797-0281	4
1-5	Locknut	661-0005	4
2	Bushing*		1
	3/4" to 2-11/16" Bore	180-0026 to 180-0057	
3	Splined Hub	540-0064	1
4	Retainer Ring	748-0005	1
5A	Mounting Accessory - I.M.	5321-101-001	1
5B	Mounting Accessory - O.M.	5321-101-002	2
6A	Magnet - Inside Mounted		1
	6 Volt	5313-631-005	
	24 Volt	5313-631-006	
	90 Volt	5313-631-007	
	†90 Volt	5313-631-001	
6A-1	Terminal Accessory	5311-101-001	1
6B	Magnet - Outside Mounted		1
	6 Volt	5313-631-010	
	24 Volt	5313-631-012	
	90 Volt	5313-631-011	
	†90 Volt	5313-631-002	
6B-1	Terminal Accessory	5311-101-001	1
7	Conduit Box	5200-101-011	1



### Bushing Part Numbers

Shaft Size	Keyway Size	Warner Electric
3/4	3/16 x 3/32	180-0026
13/16	3/16 x 3/32	180-0027
7/8	3/16 x 3/32	180-0028
15/16	1/4 x 1/8	180-0029
1	1/4 x 1/8	180-0030
1 1/16	1/4 x 1/8	180-0031
1 1/8	1/4 x 1/8	180-0032
1 1/4	1/4 x 1/8	180-0033
1 1/2	1/4 x 1/8	180-0034
1 5/8	5/16 x 5/32	180-0035
1 3/4	5/16 x 5/32	180-0036
1 7/8	3/8 x 3/16	180-0037
1 1/2	3/8 x 3/16	180-0038
1 9/16	3/8 x 3/16	180-0039
1 5/8	3/8 x 3/16	180-0040
1 11/16	3/8 x 3/16	180-0041
1 3/4	3/8 x 3/16	180-0042
1 13/16	1/2 x 1/4	180-0043
1 7/8	1/2 x 1/4	180-0044
1 15/16	1/2 x 1/4	180-0045

2	1/2 x 1/4	180-0046
2 1/16	1/2 x 1/4	180-0047
2 1/8	1/2 x 1/4	180-0048
2 1/4	1/2 x 1/4	180-0049
2 1/2	1/2 x 1/4	180-0050
2 3/8	5/8 x 5/16	180-0051
2 1/2	5/8 x 5/16	180-0052
2 5/8	5/8 x 5/16	180-0053
2 3/4	5/8 x 5/16	180-0054
2 7/8	5/8 x 5/16	180-0055
2 15/16	5/8 x 5/16	180-0056
2 1/2	5/8 x 5/16	180-0057

ARMATURE VIEW

MAGNET VIEW

### How to Order:

1. Specify Bore Size for Item 2.
2. Specify Inside Mounted for Items 5A and 6A or Outside Mounted for Items 5B and 6B.
3. Specify Voltage for Item 6A or 6B.
4. See Controls Section.