

PB Series Brake

PB-1525 Normal Duty

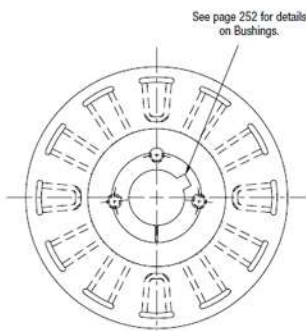
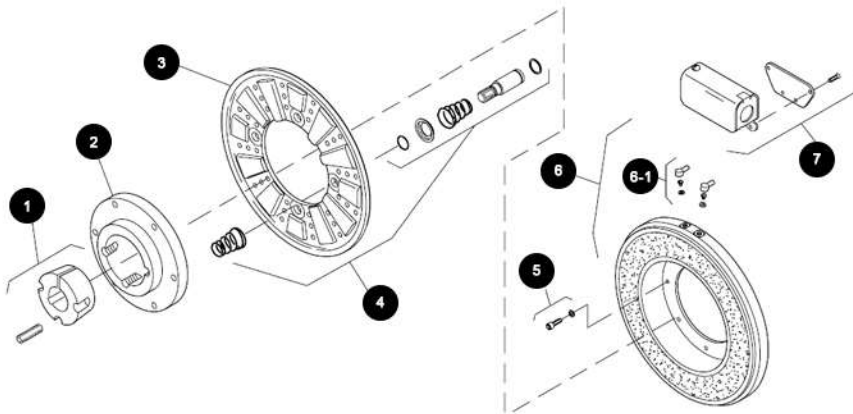


Unit Size	PB-1525, N.D.	
	Wt. (lbs.)	Inertia (lbs.ft. ²)
Magnet.....	27.817
Armature.....	15.362	3.925
Armature Hub.....	8.127	.602
Bushing: Max. Bore to.....	4.055	.085
Min. Bore.....	9.141	.133

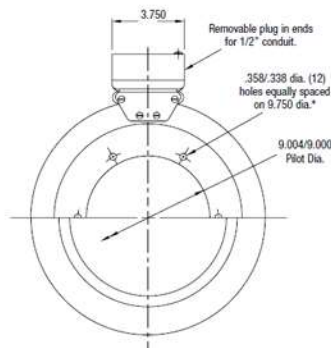
Item	Description	Part Number	Qty.
1	Bushing*		1
	15/16" to 3" Bore	180-0262 to 180-0295	
2	Armature Hub	540-0314	1
3	Armature	5304-111-004	1
4	Autogap Accessory	5201-101-008	4
5	Mounting Accessory - I.M.	5321-101-001	2
6	Magnet - Inside Mounted		1
	6 Volt	5314-631-004	
	24 Volt	5314-631-006	
	90 Volt	5314-631-005	
	†90 Volt LK Facing	5314-631-001	
6-1	Terminal Accessory	5311-101-001	1
7	Conduit Box	5200-101-011	1

Drawing I-25633

PB-1525 Normal Duty



ARMATURE VIEW



MAGNET VIEW
(Inside Mounted)

How to Order:

1. Specify Bore Size for Item 1.
2. Specify Inside Mounted for Items 5 and 6.
3. Specify Voltage for Item 6.
4. See Controls Section.

Bushing Part Numbers

Shaft Size	Keyway Size	Bushing
		Warner Electric
15/16	1/4 x 1/8	180-0262
1	1/4 x 1/8	180-0263
1 1/16	1/4 x 1/8	180-0264
1 1/8	1/4 x 1/8	180-0265
1 3/16	1/4 x 1/8	180-0266
1 1/4	1/4 x 1/8	180-0267
1 5/16	5/16 x 5/32	180-0268
1 3/8	5/16 x 5/32	180-0269
1 7/16	3/8 x 3/16	180-0270
1 1/2	3/8 x 3/16	180-0271
1 9/16	3/8 x 3/16	180-0272
1 5/8	3/8 x 3/16	180-0273
1 11/16	3/8 x 3/16	180-0274
1 3/4	3/8 x 3/16	180-0275
1 13/16	1/2 x 1/4	180-0276
1 7/8	1/2 x 1/4	180-0277
1 15/16	1/2 x 1/4	180-0278
2	1/2 x 1/4	180-0279
2 1/16	1/2 x 1/4	180-0280
2 1/8	1/2 x 1/4	180-0281
2 3/16	1/2 x 1/4	180-0282
2 1/4	1/2 x 1/4	180-0283
2 5/16	5/8 x 5/16	180-0284
2 3/8	5/8 x 5/16	180-0285
2 7/16	5/8 x 5/16	180-0286
2 1/2	5/8 x 5/16	180-0287
2 9/16	5/8 x 5/16	180-0288
2 5/8	5/8 x 5/16	180-0289
2 11/16	5/8 x 5/16	180-0290
2 3/4	5/8 x 5/16	180-0291
2 13/16	3/4 x 3/8	180-0292
2 7/8	3/4 x 3/8	180-0293
2 15/16	3/4 x 3/8	180-0294
3	3/4 x 3/8	180-0295