

PB Series Brake

PB-400 Flange Mounted

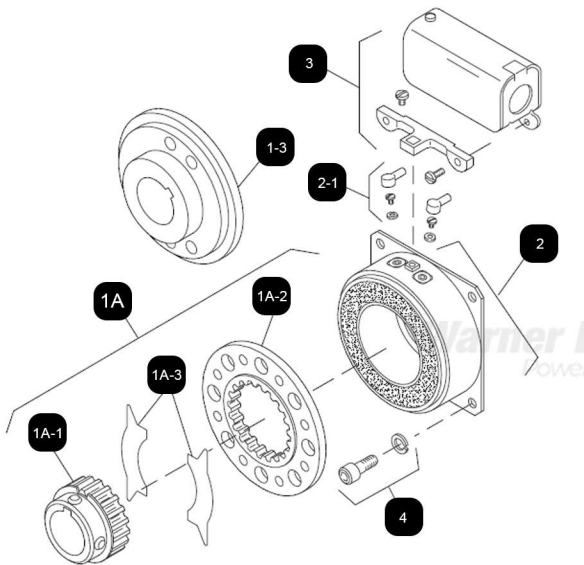


Unit Size	PB-400	
	Wt. (lbs.)	Inertia (lbs.in. ²)
Magnet.....	3.034
Armature.....	.670	1.56
Armature Hub.....	.249	.091
Antibacklash Armature.....	1.751

Electrical Specifications

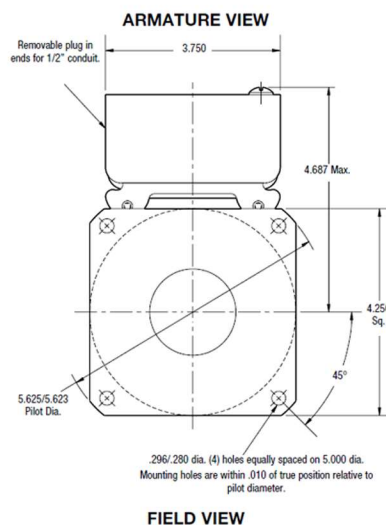
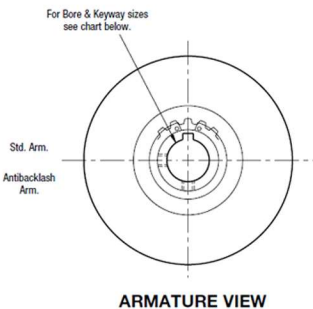
PB 400		
6	24	90
4.88	73	1087
1.23	.322	.083
7.39	7.96	7.45
154	154	154
62	60	55

Drawing I-25694



Item	Description	Part Number	Qty.
1A	Armature and Hub		
1A-1	Armature Hub		1
	1/2" Bore	5104-541-002	
	5/8" Bore	5104-541-004	
	3/4" Bore	5104-541-006	
	7/8" Bore	5104-541-007	
1A-2	Armature	5125-111-001	1
1A-3	Release Spring	5104-101-003	1
1B	Antibacklash Armature		1
	1/2" Bore	5367-111-003	
	5/8" Bore	5367-111-005	
	3/4" Bore	5367-111-007	
	7/8" Bore	5367-111-008	
2	Magnet		1
	6 Volt	5115-631-002	
	24 Volt	5115-631-003	
	90 Volt	5115-631-004	

Item	Description	Part Number	Qty.
2-1	Terminal Accessory	5103-101-002	1
3	Conduit Box	5200-101-010	1
4	Mounting Accessory	5104-101-002	1



Bore and Keyway Dimensions

Armature Bore Dia.	Keyway
.501/.500	.125 x .062
.563/.562*	
.626/.625	
.688/.687*	
.751/.750	.187 x .093
.876/.875	

* Available on special order only.

How to Order:

1. Specify Type of Armature Desired.
2. Specify Bore Size for Item 1A-1 or 1B.
3. Specify Voltage for Item 2.
4. See Controls Section.