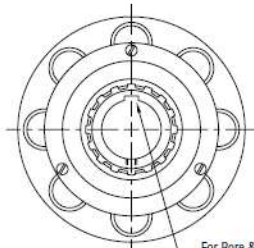
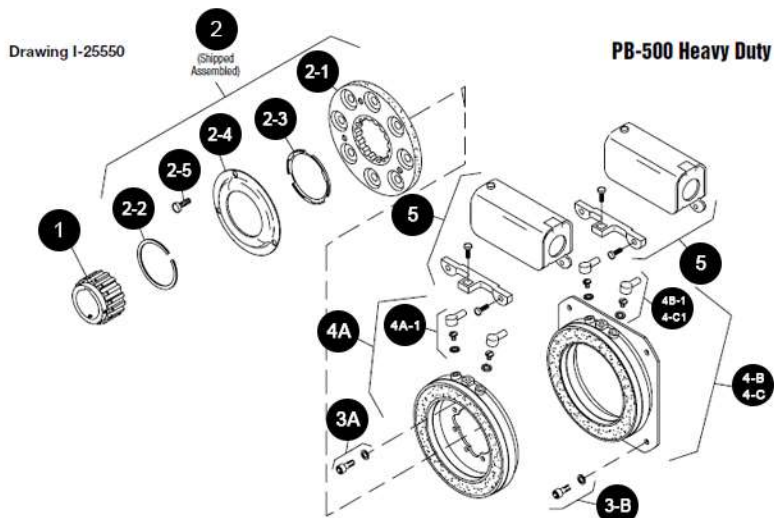


# PB Series Brake

## PB-500 Heavy Duty

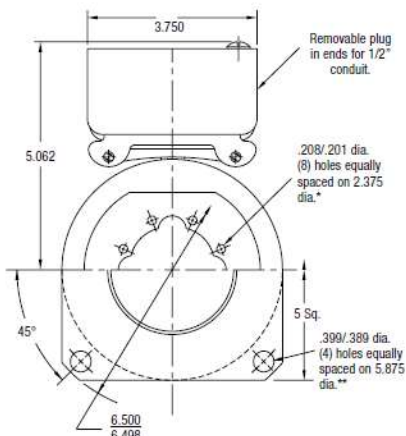


| Unit Size                | PB-500, N.D. |                                 |
|--------------------------|--------------|---------------------------------|
|                          | Wt. (lbs.)   | Inertia (lbs.ft. <sup>2</sup> ) |
| Magnet.....              | 2.800        | .....                           |
| Armature & Pins.....     | 1.20         | .033                            |
| Armature.....            | .....        | .....                           |
| Armature Hub.....        | .941         | .018                            |
| Bushing: Max. Bore to .. | .436         | .002                            |
| Min. Bore.....           | .842         | .003                            |



**ARMATURE VIEW**

For Bore & Keyway sizes see chart below.



**MAGNET VIEW**  
(Inside & Outside Mounted)

### Bore and Keyway Dimensions

| Armature Bore Dia. | Keyway      |
|--------------------|-------------|
| .751/.750          | .187 x .093 |
| .876/.875          |             |
| .9385/.9375        |             |
| 1.001/1.000        |             |
| 1.126/1.125        | .250 x .125 |
| 1.251/1.250        |             |

### Electrical Specifications

|                              | PB-500 |      |       |
|------------------------------|--------|------|-------|
|                              | 6      | 24   | 90    |
| Voltage - DC                 |        |      |       |
| Resistance @ 20°C - Ohms     | 1.36   | 23.8 | 251.1 |
| Current - Amperes            | 4.4    | 1.01 | .36   |
| Watts                        | 26     | 24   | 32    |
| Coil Build-up - Milleseconds | 84     | 87   | 93    |
| Coil Decay- Milliseconds     | 38     | 35   | 30    |

| Item | Description               | Part Number  | Qty. |
|------|---------------------------|--------------|------|
| 1    | Armature Hub              |              | 1    |
|      | 3/4" Bore                 | 5200-541-002 |      |
|      | 7/8" Bore                 | 5200-541-003 |      |
|      | 15/16" Bore               | 5200-541-004 |      |
|      | 1" Bore                   | 5200-541-005 |      |
|      | 1-1/8" Bore               | 5200-541-006 |      |
|      | 1-1/4" Bore               | 5200-541-007 |      |
| 2    | Armature Assembly         | 5230-111-002 | 1    |
| 2-1  | Armature                  |              | 1    |
|      | Segmented                 | 5230-111-001 |      |
|      | Solid                     | 110-0076     |      |
| 2-2  | Retainer Ring             | 748-0355     | 1    |
| 2-3  | Autogap Spring            | 808-0412     | 1    |
| 2-4  | Retainer Plate            | 748-0364     | 1    |
| 2-5  | Screw                     | 797-0028     | 3    |
| 3A   | Mounting Accessory - I.M. | 5102-101-001 | 2    |
| 3B   | Mounting Accessory - O.M. | 5300-101-008 | 1    |
| 4A   | Magnet - I.M.             |              | 1    |
|      | 6 Volt                    | 5300-631-002 |      |
|      | 24 Volt                   | 5300-631-003 |      |
|      | 90 Volt                   | 5300-631-005 |      |
|      | †90 Volt LK Facing        | 5300-631-020 |      |
| 4A-1 | Terminal Accessory        | 5311-101-001 | 1    |

| Item | Description            | Part Number  | Qty. |
|------|------------------------|--------------|------|
| 4B   | Magnet - O.M. - Offset |              | 1    |
|      | 90 Volt                | 5300-631-014 |      |
| 4B-1 | Terminal Accessory     | 5311-101-001 | 1    |
| 4C   | Magnet - O.M. - Flush  |              | 1    |
|      | 6 Volt                 | 5300-631-009 |      |
|      | 24 Volt                | 5300-631-010 |      |
|      | 90 Volt                | 5300-631-011 |      |
|      | †90 Volt LK Facing     | 5300-631-025 |      |
| 4C-1 | Terminal Accessory     | 5311-101-001 | 1    |
| 5    | Conduit Box            | 5200-101-010 | 1    |

### How to Order:

1. Specify Bore Size for Item 1.
2. Specify Voltage for Item 4A, 4B, or 4C.
3. Specify Inside Mounted for Item 4A and Outside Mounted (Offset) for Item 4B or Outside Mounted (Flush) for Item 4C.
4. See Controls Section.