

# PB Series Brake

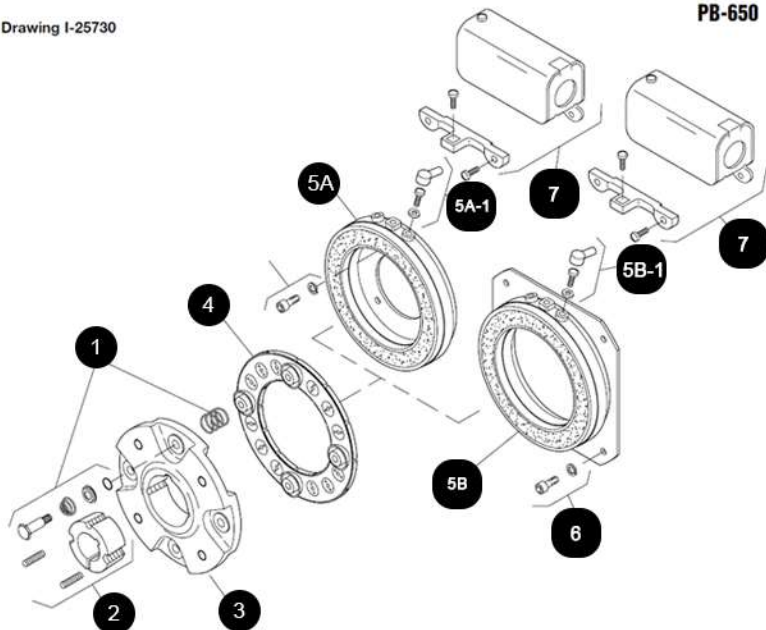
## PB-650



Unit Size	PB-650	
	Wt. (lbs.)	Inertia (lbs.ft. <sup>2</sup> )
Magnet.....	4.5	.....
Armature & Pins .....		
Armature .....	1.8	.08
Armature Hub.....	1.3	.02
Bushing: Max. Bore to ..	.....	.....
Min. Bore.....	.....	.....

Drawing I-25730

PB-650



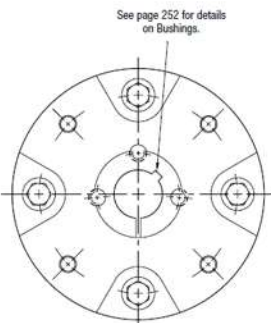
### Electrical Specifications

	PB-650		
	6	24	90
Voltage - DC			
Resistance @ 20°C - Ohms	1.24	18.3	257.2
Current - Amperes	4.84	1.31	.35
Watts	29	31	32
Coil Build-up - Milleseconds	100	105	110
Coil Decay- Milliseconds	50	50	50

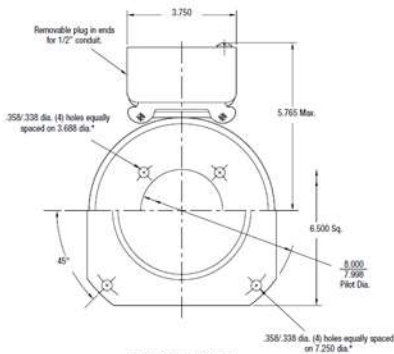
Item	Description	Part Number	Qty.
1	Autogap Accessory	5181-101-010	4
2	Bushing*		1
	1/2" to 1-5/8" Bore	180-0326 to 180-0344	
3	Armature Hub	5207-541-002	1
4	Armature	5281-111-002	1
5A	Magnet - Inside Mounted		1
	6 Volt	5369-631-003	
	24 Volt	5369-631-006	
	90 Volt	5369-631-005	
5A-1	Terminal Accessory	5311-101-001	1
5B	Magnet - Outside Mounted		1
	6 Volt	5369-631-009	
	24 Volt	5369-631-012	
	90 Volt	5369-631-011	
5B-1	Terminal Accessory	5311-101-001	1
6	Mounting Accessory	5321-101-002	1
7	Conduit Box	5200-101-010	1

### Bushing Part Numbers

Shaft Size	Keyway Size	Warner Electric
1/2	1/8 x 1/16	180-0326
9/16	1/8 x 1/16	180-0327
5/8	3/16 x 3/32	180-0328
11/16	3/16 x 3/32	180-0329
3/4	3/16 x 3/32	180-0330
13/16	3/16 x 3/32	180-0331
7/8	3/16 x 3/32	180-0332
15/16	1/4 x 1/8	180-0333
1	1/4 x 1/8	180-0334
1 1/16	1/4 x 1/8	180-0335
1 1/8	1/4 x 1/8	180-0336
1 3/16	1/4 x 1/8	180-0337
1 1/4	1/4 x 1/8	180-0338
1 5/16	5/16 x 5/32	180-0339
1 3/8	5/16 x 5/32	180-0340
1 7/16	3/8 x 3/16	180-0341
1 1/2	3/8 x 3/16	180-0342
1 9/16	3/8 x 3/16	180-0343
1 5/8	3/8 x 3/16	180-0344



HUB VIEW



MAGNET VIEW (Inside & Outside Mounted)

### How to Order:

1. Specify Bore Size for Item 2.
2. Specify Voltage for Item 5.
3. Specify Inside or Outside Mounted for Item 5.
4. See Controls Section.