

# PB Series Brake

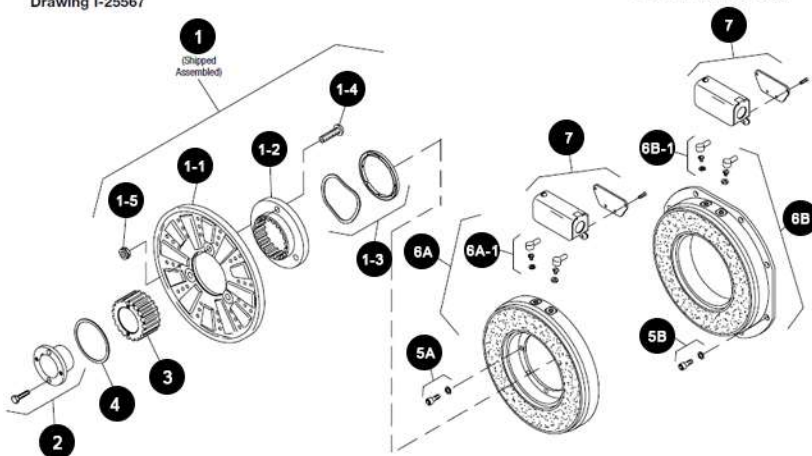
## PB-825 Heavy Duty



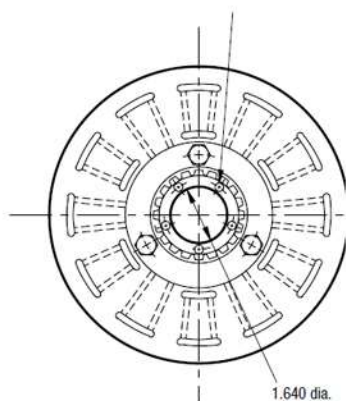
Unit Size	PB-825, H.D.	
	Wt. (lbs.)	Inertia (lbs.ft. <sup>2</sup> )
Magnet.....	7.780	.....
Armature & Splined Adapter.....	5.263	.326
Splined Hub.....	.834	.006
Bushing - Spline Hub		
Max. Bore to.....	.301	.002
Min. Bore.....	.762	.003

Item	Description	Part Number	Qty.
1	Armature Assembly	5321-111-001	1
1-1	Armature	5321-111-022	1
1-2	Splined Adapter	104-0008	1
1-3	Autogap Accessory	5321-101-006	1
1-4	Screw	797-0272	3
1-5	Locknut	661-0004	3
2	Bushing*		1
	1/2" to 1-1/2" Bore	180-0002 to 180-0018	
3	Splined Hub	540-0057	1
4	Retainer Ring	748-0006	1
5A	Mounting Accessory - I.M.	5321-101-001	1
5B	Mounting Accessory - O.M.	5321-101-002	1
6A	Magnet - Inside Mounted		1
	6 Volt	5311-631-002	
	24 Volt	5311-631-003	
	90 Volt	5311-631-004	
	†90 Volt LK Facing	5311-631-011	
6A-1	Terminal Accessory	5311-101-001	1
6B	Magnet - Outside Mounted		1
	6 Volt	5311-631-007	
	24 Volt	5311-631-009	
	90 Volt	5311-631-008	
	†90 Volt LK Facing	5311-631-012	
6B-1	Terminal Accessory	5311-101-001	1
7	Conduit Box	5200-101-011	1

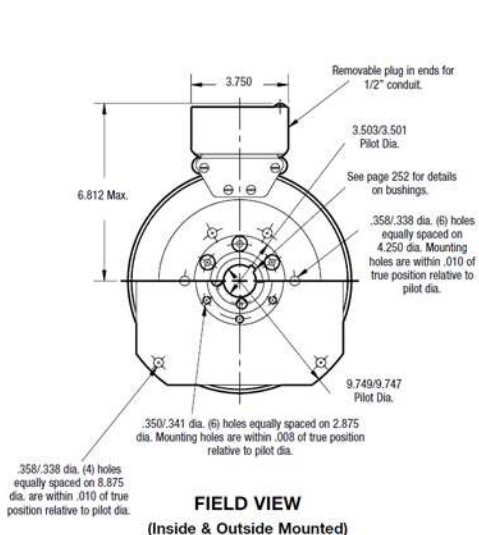
Drawing I-25567



PB-825 Heavy Duty



ARMATURE VIEW



### Bushing Part Numbers

Shaft Size	Keyway Size	Warner Electric
1/2	1/8 x 1/16	180-0002
9/16	1/8 x 1/16	180-0003
5/8	3/16 x 3/32	180-0004
1 1/16	3/16 x 3/32	180-0005
3/4	3/16 x 3/32	180-0006
13/16	3/16 x 3/32	180-0007
7/8	3/16 x 3/32	180-0008
15/16	1/4 x 1/8	180-0009
1	1/4 x 1/8	180-0010
1 1/16	1/4 x 1/8	180-0011
1 1/8	1/4 x 1/8	180-0012
1 3/16	1/4 x 1/8	180-0013
1 1/4	1/4 x 1/8	180-0014
1 5/16	5/16 x 5/32	180-0015
1 3/8	5/16 x 5/32	180-0016
1 7/16	3/8 x 3/16	180-0017
1 1/2	3/8 x 3/16	180-0018

### How to Order:

1. Specify Bore Size for Item 6.
2. Specify Voltage for Item 9A or 9B.
3. Specify Inside Mounted for Items 8A and 9A or Outside Mounted for Items 8B and 9B.
4. See Controls Section.