

PB Series Brake

PB-825 Normal Duty



Coil Data

Unit Size	PB & MB-825		
Voltage — DC	6	24	90
Resistance @ 20°C — Ohms	1.27	20.4	223.3
Current — Amperes	4.74	1.18	.4
Watts	28	28	36
Coil Build-up — Milliseconds	170	170	170
Coil Decay — Milliseconds	70	75	80

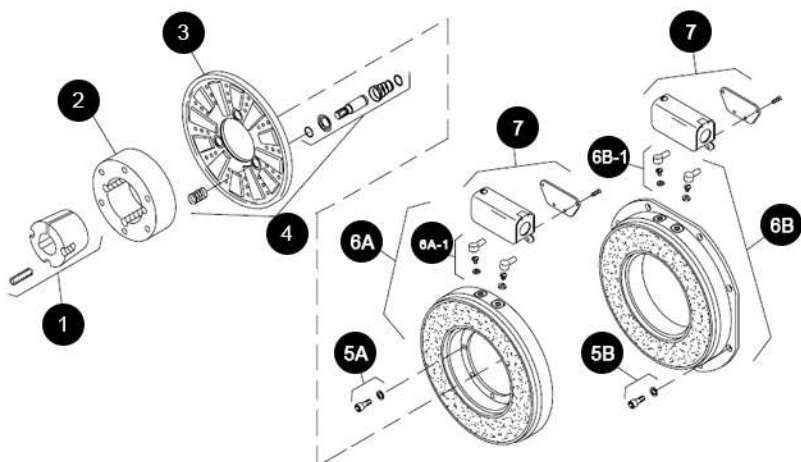
Item	Description	Part Number	Qty.
1	Bushing*		1
	1/2" to 1-5/8" Bore	180-0131 to 180-0149	
2	Armature Hub	540-0394	1
3	Armature	5301-111-018	1
4	Autogap Accessory	5201-101-008	3
5A	Mounting Accessory - I.M.	5321-101-001	1
5B	Mounting Accessory - O.M.	5321-101-002	1
6A	Magnet - Inside Mounted		1
	6 Volt	5311-631-002	
	24 Volt	5311-631-003	
	90 Volt	5311-631-004	
	†90 Volt LK Facing	5311-631-011	
6A-1	Terminal Accessory	5311-101-001	1
6B	Magnet, Outside Mounted		1
	6 Volt	5311-631-007	
	24 Volt	5311-631-009	
	90 Volt	5311-631-008	
	†90 Volt LK Facing	5311-631-012	

Item	Description	Part Number	Qty.
6B-1	Terminal Accessory	5311-101-001	1
7	Conduit Box	5200-101-011	1

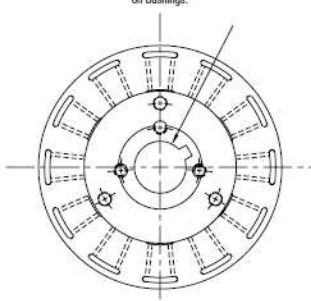
Item	Description	Part Number	Qty.
6B-1	Terminal Accessory	5311-101-001	1
7	Conduit Box	5200-101-011	1

Drawing I-25566

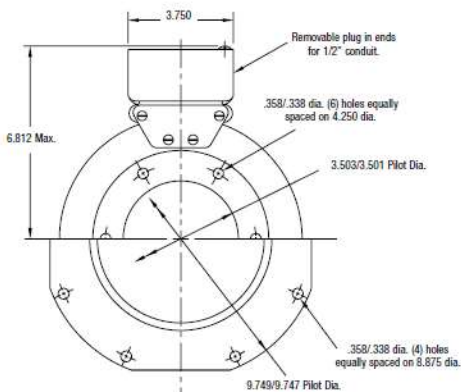
PB-825 Normal Duty



See page 252 for details on Bushings.



ARMATURE VIEW



MAGNET VIEW (Inside & Outside Mounted)

How to Order:

1. Specify Bore Size for Item 1.
2. Specify Inside Mounted for Items 5A and 6A or Outside Mounted for Items 5B and 6B.
3. Specify Voltage for Item 6A or 6B.
4. See Controls Section.

Bushing Part Numbers

Shaft Size	Keyway Size	Warner Electric
1/2	1/8 x 1/16	180-0131
9/16	1/8 x 1/16	180-0132
5/8	3/16 x 3/32	180-0133
11/16	3/16 x 3/32	180-0134
3/4	3/16 x 3/32	180-0135
13/16	3/16 x 3/32	180-0136
7/8	3/16 x 3/32	180-0137
15/16	1/4 x 1/8	180-0138
1	1/4 x 1/8	180-0139
1 1/16	1/4 x 1/8	180-0140
1 1/8	1/4 x 1/8	180-0141
1 3/16	1/4 x 1/8	180-0142
1 1/4	1/4 x 1/8	180-0143
1 5/16	5/16 x 5/32	180-0144
1 3/8	5/16 x 5/32	180-0145
1 7/16	3/8 x 3/16	180-0146
1 1/2	3/8 x 3/16	180-0147
1 9/16	3/8 x 3/16	180-0148
1 5/8	3/8 x 3/16	180-0149