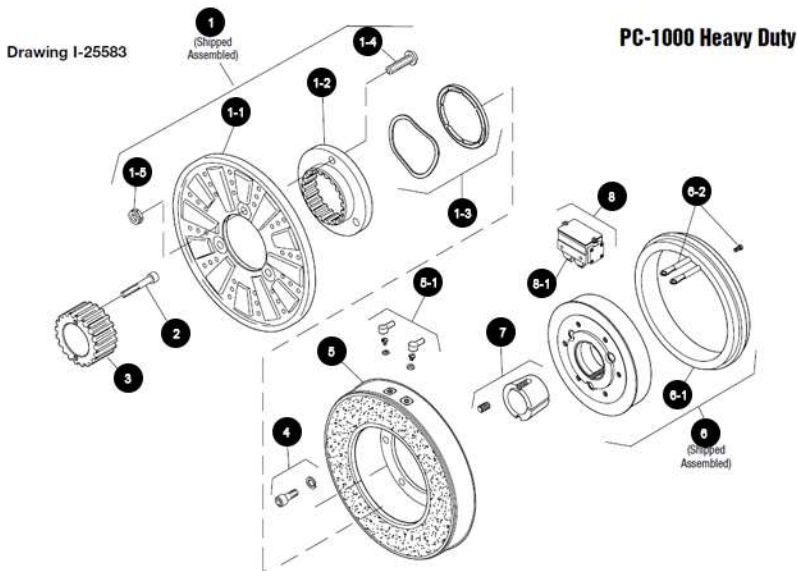


PC Series Clutch

PC-1000 Heavy Duty



Unit Size	PC-1000	
	Wt. (lbs.)	Inertia (lbs.ft. ²)
Magnet.....	10.549	1.297
Magnet Hub Assembly ...	5.702	.332
Armature & Pins	6.0	.629
Bushing: Max. Bore.....	1.553	.022
Min. Bore.....	3.575	.031



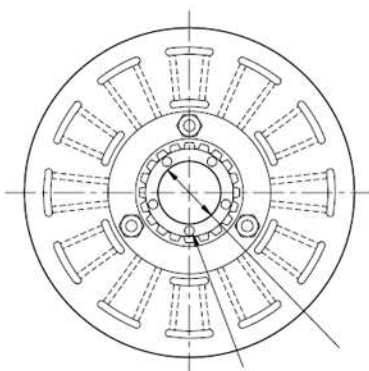
Item	Description	Part Number	Qty.
1	Armature & Splined		
	Adapter Assembly	5322-111-002	1
1-1	Armature	5322-111-036	1
1-2	Splined Armature Adapter	104-0009	1
1-3	Autogap Accessory	5322-101-004	1
	Autogap Spring	808-0061	1
	Retainer Ring	748-0374	1
1-4	Button Head Screw	797-0272	3
1-5	Locknut	661-0004	3
2	Mounting Accessory	5202-101-001	1
3	Splined Hub	540-0147	1
4	Mounting Accessory	5321-101-001	1
5	Magnet		1
	6 Volt	5302-631-003	
	24 Volt	5302-631-014	
	90 Volt	5302-631-005	
	†90 Volt LK Facing	5302-631-001	
5-1	Terminal Accessory	5311-101-001	1
6	Magnet Hub Assembly		1
	Right Hand	5302-541-002	
	Left Hand (shown)	5302-541-001	

Item	Description	Part Number	Qty.
6-1	Collector Ring	5301-749-001	1
6-2	Collector Ring Accessory	5302-101-002	1
7	Bushing, Taperlock*	180-0185 to 180-0217	1
8	Brushholder	5300-178-001	1
8-1	Brush	176-0001	4

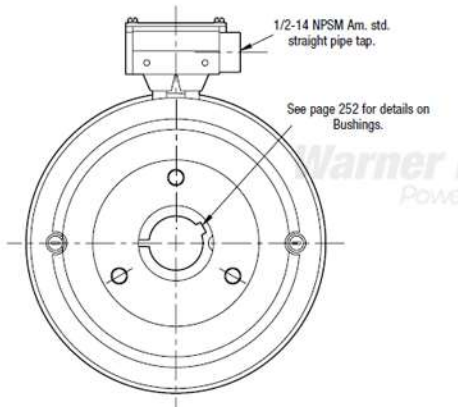
Bushing Part Numbers

Shaft Size	Keyway Size	Warner Electric
1/2	1/8 x 1/16	180-0185
9/16	1/8 x 1/16	180-0186
5/8	3/16 x 3/32	180-0187
11/16	3/16 x 3/32	180-0188
3/4	3/16 x 3/32	180-0189
13/16	3/16 x 3/32	180-0190
7/8	3/16 x 3/32	180-0191
15/16	1/4 x 1/8	180-0192
1	1/4 x 1/8	180-0193
1 1/16	1/4 x 1/8	180-0194
1 1/8	1/4 x 1/8	180-0195
1 3/16	1/4 x 1/8	180-0196
1 1/4	1/4 x 1/8	180-0197
1 5/16	5/16 x 5/32	180-0198
1 3/8	5/16 x 5/32	180-0199
1 7/16	3/8 x 3/16	180-0200

1 1/2	3/8 x 3/16	180-0201
1 9/16	3/8 x 3/16	180-0202
1 5/8	3/8 x 3/16	180-0203
1 11/16	3/8 x 3/16	180-0204
1 3/4	3/8 x 3/16	180-0205
1 13/16	1/2 x 1/4	180-0206
1 7/8	1/2 x 1/4	180-0207
1 15/16	1/2 x 1/4	180-0208
2	1/2 x 1/4	180-0209
2 1/16	1/2 x 1/4	180-0210
2 1/8	1/2 x 1/4	180-0211
2 3/16	1/2 x 1/4	180-0212
2 1/4	1/2 x 1/4	180-0213
2 5/16	5/8 x 5/16	180-0214
2 3/8	5/8 x 5/16	180-0215
2 7/16	5/8 x 5/16	180-0216
2 1/2	5/8 x 5/16	180-0217



ARMATURE VIEW



COLLECTOR RING VIEW