

PC Series Clutch

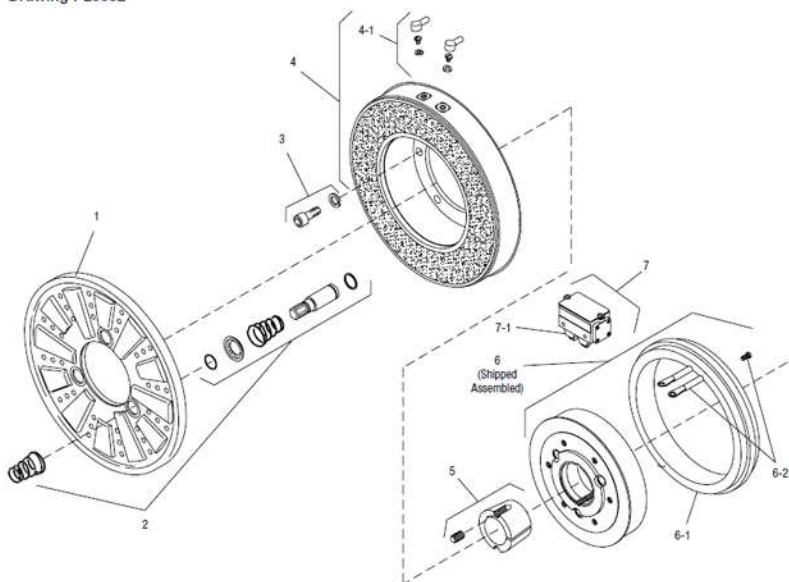
PC-1000 Normal Duty



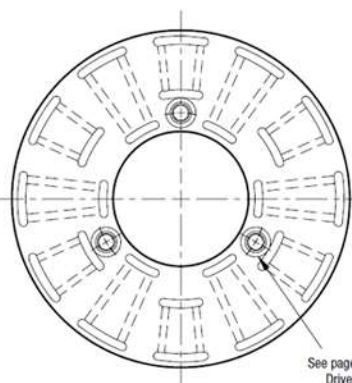
Unit Size	PC-1000	
	Wt. (lbs.)	Inertia (lbs.ft. ²)
Magnet.....	10.549	1.297
Magnet Hub Assembly ...	5.702	.332
Armature & Pins	6.0	.629
Bushing: Max. Bore to ...	1.553	.022
Min. Bore.....	3.575	.031

Drawing I-25582

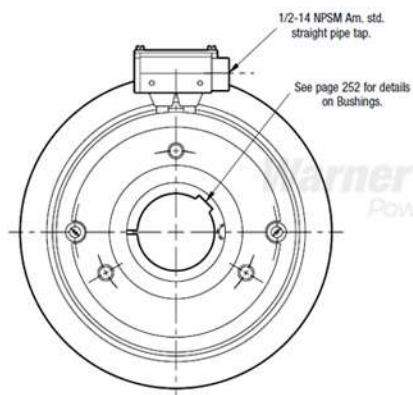
PC-1000 Normal Duty



Item	Description	Part Number	Qty.
1	Armature	5302-111-013	1
2	Autogap Accessory	5201-101-008	3
3	Mounting Accessory	5321-101-001	1
4	Magnet		1
	6 Volt	5302-631-003	
	24 Volt	5302-631-014	
	90 Volt	5302-631-005	
	†90 Volt LK Facing	5302-631-001	
4-1	Terminal Accessory	5311-101-001	1
5	Bushing*		1
	1/2" to 2-1/2" Bore	180-0185 to 180-0217	
6	Magnet Hub		1
	Left Hand (shown)	5302-541-001	
	Right Hand	5302-541-002	
6-1	Collector Ring	5301-749-001	1
6-2	Collector Ring Accessory	5302-101-002	1
7	Brushholder	5300-178-001	1
7-1	Brush	176-0001	4



ARMATURE VIEW



COLLECTOR RING VIEW

Bushing Part Numbers

Shaft Size	Keyway Size	Warner Electric			
1/2	1/8 x 1/16	180-0185	1 1/2	3/8 x 3/16	180-0201
9/16	1/8 x 1/16	180-0186	1 9/16	3/8 x 3/16	180-0202
5/8	3/16 x 3/32	180-0187	1 5/8	3/8 x 3/16	180-0203
11/16	3/16 x 3/32	180-0188	1 11/16	3/8 x 3/16	180-0204
3/4	3/16 x 3/32	180-0189	1 3/4	3/8 x 3/16	180-0205
13/16	3/16 x 3/32	180-0190	1 13/16	1/2 x 1/4	180-0206
7/8	3/16 x 3/32	180-0191	1 7/8	1/2 x 1/4	180-0207
15/16	1/4 x 1/8	180-0192	1 15/16	1/2 x 1/4	180-0208
1	1/4 x 1/8	180-0193	2	1/2 x 1/4	180-0209
1 1/16	1/4 x 1/8	180-0194	2 1/16	1/2 x 1/4	180-0210
1 1/8	1/4 x 1/8	180-0195	2 1/8	1/2 x 1/4	180-0211
1 1/4	1/4 x 1/8	180-0196	2 1/4	1/2 x 1/4	180-0212
1 1/2	1/4 x 1/8	180-0197	2 1/2	1/2 x 1/4	180-0213
1 5/8	5/16 x 5/32	180-0198	2 5/8	5/8 x 5/16	180-0214
1 3/4	5/16 x 5/32	180-0199	2 3/4	5/8 x 5/16	180-0215
1 7/8	3/8 x 3/16	180-0200	2 7/8	5/8 x 5/16	180-0216
			2 1/2	5/8 x 5/16	180-0217