

PC Series Clutch

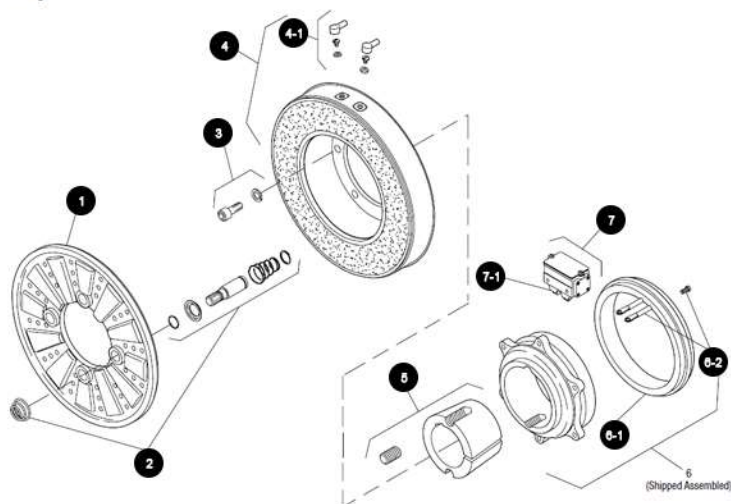
PC-1225 Normal Duty



Unit Size	PC-1225	
	Wt. (lbs.)	Inertia (lbs.ft. ²)
Magnet.....	18.557	3.245
Magnet Hub Assembly ...	7.252	.461
Armature & Pins	10.84	1.7
Bushing: Max. Bore to ...	4.055	.085
Min. Bore.....	9.141	.133

Drawing I-25602

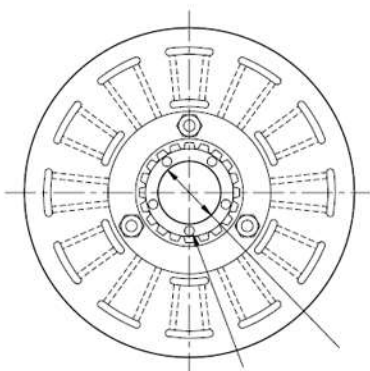
PC-1225 Normal Duty



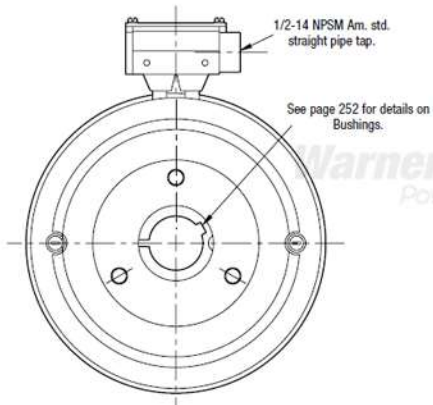
Item	Description	Part Number	Qty.
1	Armature	5303-111-009	1
2	Autogap Accessory	5201-101-008	4
3	Mounting Accessory	5321-101-001	1
4	Magnet		1
	6 Volt	5303-631-005	
	24 Volt	5303-631-007	
	90 Volt	5303-631-008	
	†90 Volt LK Facing	5303-631-001	
4-1	Terminal Accessory	5311-101-001	1
5	Bushing*		1
	15/16" to 3" Bore	180-0262 to 180-0295	
6	Magnet Hub		1
	Left Hand (shown)	5303-541-001	
	Right Hand	5303-541-002	
6-1	Collector Ring	5301-749-001	1
6-2	Collector Ring Accessory	5303-101-004	1
Item	Description	Part Number	Qty.
7	Brushholder	5300-178-001	1
7-1	Brush	176-0001	4

Bushing Part Numbers

Shaft Size	Keyway Size	Warner Electric			
15/16	1/4 x 1/8	180-0262	23/16	1/2 x 1/4	180-0282
1	1/4 x 1/8	180-0263	21/4	1/2 x 1/4	180-0283
11/16	1/4 x 1/8	180-0264	25/16	5/8 x 5/16	180-0284
11/8	1/4 x 1/8	180-0265	23/8	5/8 x 5/16	180-0285
13/16	1/4 x 1/8	180-0266	27/16	5/8 x 5/16	180-0286
11/4	1/4 x 1/8	180-0267	21/2	5/8 x 5/16	180-0287
15/16	5/16 x 5/32	180-0268	29/16	5/8 x 5/16	180-0288
13/8	5/16 x 5/32	180-0269	25/8	5/8 x 5/16	180-0289
17/16	3/8 x 3/16	180-0270	211/16	5/8 x 5/16	180-0290
11/2	3/8 x 3/16	180-0271	23/4	5/8 x 5/16	180-0291
19/16	3/8 x 3/16	180-0272	213/16	3/4 x 3/8	180-0292
15/8	3/8 x 3/16	180-0273	27/8	3/4 x 3/8	180-0293
111/16	3/8 x 3/16	180-0274	215/16	3/4 x 3/8	180-0294
13/4	3/8 x 3/16	180-0275	3	3/4 x 3/8	180-0295
113/16	1/2 x 1/4	180-0276			
17/8	1/2 x 1/4	180-0277			
115/16	1/2 x 1/4	180-0278			
2	1/2 x 1/4	180-0279			
21/16	1/2 x 1/4	180-0280			
21/8	1/2 x 1/4	180-0281			



ARMATURE VIEW



COLLECTOR RING VIEW