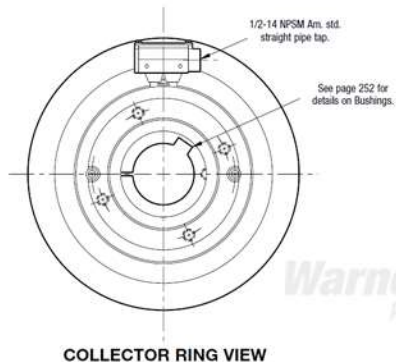
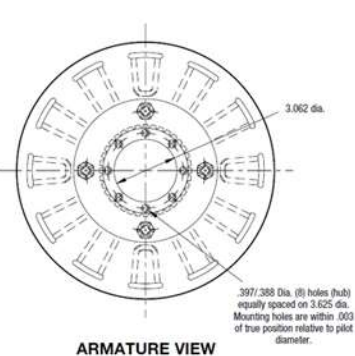
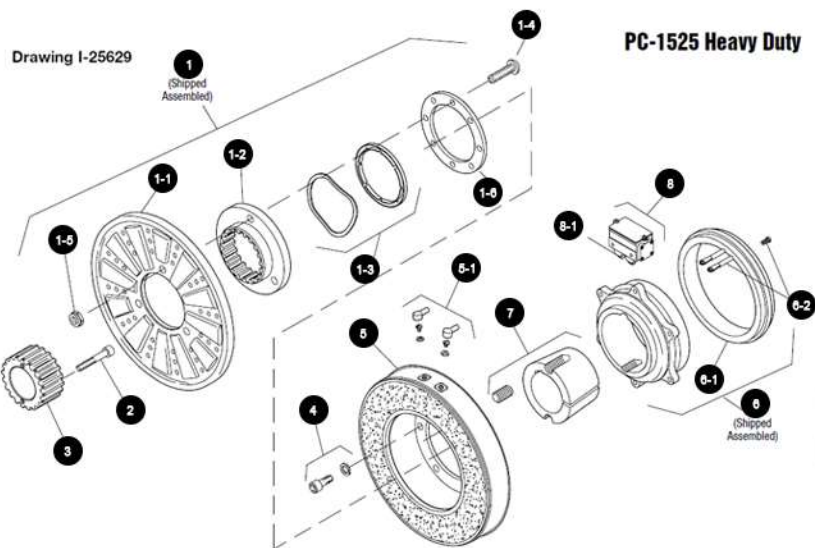


# PC Series Clutch

## PC-1525 Normal Duty



Unit Size	PC-1525	
	Wt. (lbs.)	Inertia (lbs.ft. <sup>2</sup> )
Magnet.....	27.817	7.416
Magnet Hub Assembly.....	9.350	.680
Armature & Pins.....	15.362	3.925
Bushing: Max. Bore to.....	4.055	.085
Min. Bore.....	9.141	.133



Item	Description	Part Number	Qty.
1	Armature & Splined Adapter Assembly	5324-111-001	1
1-1	Armature	5324-111-034	1
1-2	Splined Armature Adapter	104-0011	1
1-3	Autogap Accessory	5323-101-002	1
	Autogap Spring	808-0044	1
	Retainer Ring	748-0370	1
1-4	Button Head Screw	797-0272	8
1-5	Locknut	661-0004	8
1-6	Retainer Plate	686-0003	1
2	Mounting Accessory	5202-101-001	3
3	Splined Hub	540-0148	1
4	Mounting Accessory	5321-101-001	2
5	Magnet		1
	6 Volt	5304-631-009	
	24 Volt	5304-631-011	
	90 Volt	5304-631-010	
	†90 Volt LK Facing	5304-631-002	
5-1	Terminal Accessory	5311-101-001	1
6	Magnet Hub Assembly		1
	Right Hand	5304-541-002	
	Left Hand (shown)	5304-541-001	

Item	Description	Part Number	Qty.
6-1	Collector Ring	5301-749-001	1
6-2	Collector Ring Accessory	5304-101-004	1
7	Bushing, Tapertock*	180-0262 to 180-0295	1
8	Brushholder	5300-178-001	1
8-1	Brush	176-0001	4

### Bushing Part Numbers

15/16	1/4 x 1/8	180-0262	23/16	1/2 x 1/4	180-0282
1	1/4 x 1/8	180-0263	21/4	1/2 x 1/4	180-0283
1 1/16	1/4 x 1/8	180-0264	25/16	5/8 x 5/16	180-0284
1 1/8	1/4 x 1/8	180-0265	23/8	5/8 x 5/16	180-0285
1 3/16	1/4 x 1/8	180-0266	27/16	5/8 x 5/16	180-0286
1 1/4	1/4 x 1/8	180-0267	21/2	5/8 x 5/16	180-0287
1 5/16	5/16 x 5/32	180-0268	29/16	5/8 x 5/16	180-0288
1 3/8	5/16 x 5/32	180-0269	25/8	5/8 x 5/16	180-0289
1 7/16	3/8 x 3/16	180-0270	211/16	5/8 x 5/16	180-0290
1 1/2	3/8 x 3/16	180-0271	23/4	5/8 x 5/16	180-0291
1 9/16	3/8 x 3/16	180-0272	213/16	3/4 x 3/8	180-0292
1 5/8	3/8 x 3/16	180-0273	27/8	3/4 x 3/8	180-0293
1 11/16	3/8 x 3/16	180-0274	215/16	3/4 x 3/8	180-0294
1 3/4	3/8 x 3/16	180-0275	3	3/4 x 3/8	180-0295
1 13/16	1/2 x 1/4	180-0276			
1 7/8	1/2 x 1/4	180-0277			
1 15/16	1/2 x 1/4	180-0278			
2	1/2 x 1/4	180-0279			
2 1/16	1/2 x 1/4	180-0280			
2 1/8	1/2 x 1/4	180-0281			