

# PC Series Clutch

## PC-500

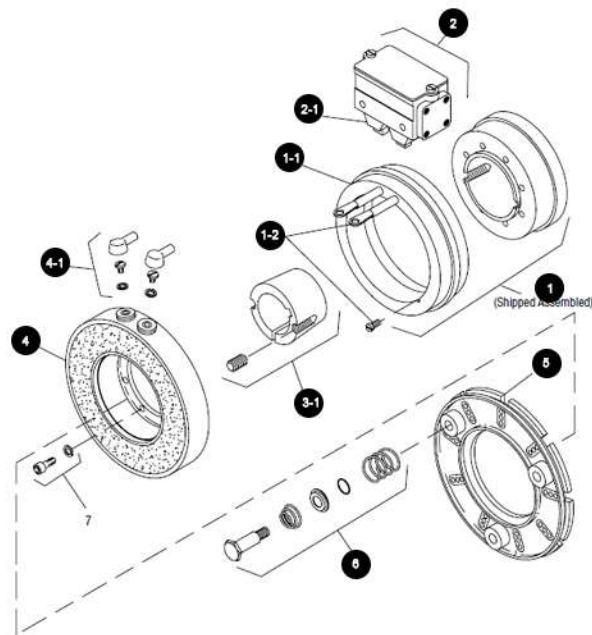


Unit Size	PC-500	
	Wt. (lbs.)	Inertia (lbs.ft. <sup>2</sup> )
Magnet.....	2.800	.074
Magnet Hub Assembly.....	1.224	.031
Armature & Pins.....	1.20	.033

Unit Size	PB & PC-500		
Voltage – DC	6	24	90
Resistance @ 20°C – Ohms	1.36	23.8	251.1
Current – Amperes	4.4	1.01	.36
Watts	26	24	32
Coil Build-up – Milliseconds	84	87	93
Coil Decay – Milliseconds	38	35	30

Drawing I-25716

## PC-500

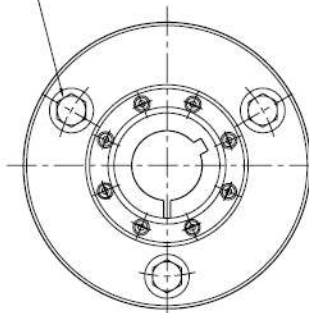


Item	Description	Part Number	Qty.
1	Magnet Hub	5300-541-001	1
1-1	Collector Ring	5300-749-001	1
1-2	Collector Ring Mounting Acc.	5300-101-002	1
2	Brushholder	5300-178-001	1
2-1	Brush	176-0001	4
3	Bushing*		1
	1/2" to 1-1/4" Bore	180-0116 to 180-0128	
4	Magnet		1
	6 Volt.	5300-631-002	
	24 Volt	5300-631-003	
	90 Volt	5300-631-005	
4-1	Terminal Accessory	5311-101-001	1
5	Armature	5300-111-002	1
6	Autogap Accessory	5200-101-009	3
7	Mounting Accessory	5102-101-001	2

### Bushing Part Numbers

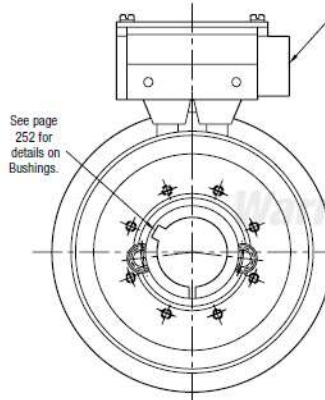
Shaft Size	Keyway Size	Warner Electric
1/2	1/8 x 1/16	180-0116
9/16	1/8 x 1/16	180-0117
5/8	3/16 x 3/32	180-0118
11/16	3/16 x 3/32	180-0119
3/4	3/16 x 3/32	180-0120
13/16	3/16 x 3/32	180-0121
7/8	3/16 x 3/32	180-0122
15/16	1/4 x 1/8	180-0123
1	1/4 x 1/8	180-0124
1 1/16	1/4 x 1/8	180-0125
1 1/8	1/4 x 1/8	180-0126
1 3/16	1/4 x 1/8	180-0127
1 1/4	1/4 x 1/8	180-0128

See page 230 for details on Drive Pin mountings.



ARMATURE VIEW

1/2-14 NPSM Am. std. straight pipe tap.



MAGNET VIEW

See page 252 for details on Bushings.