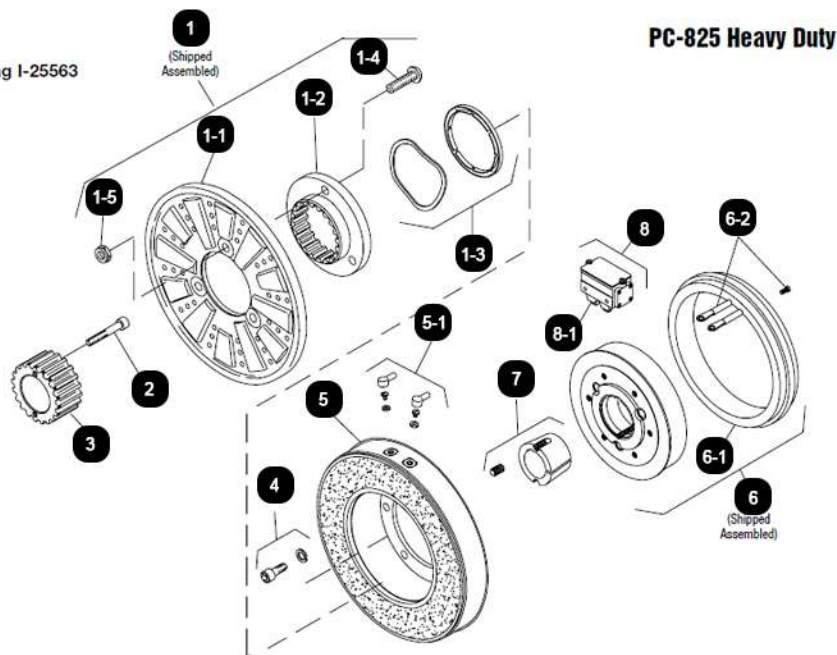


# PC Series Clutch

## PC-825 Heavy Duty



Drawing I-25563



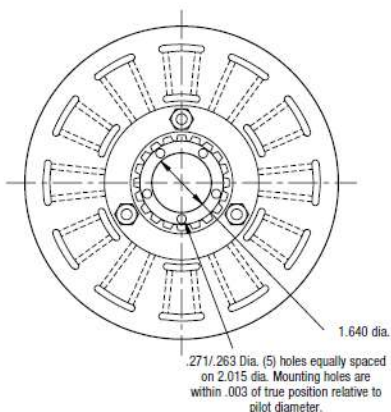
PC-825 Heavy Duty

Item	Description	Part Number	Qty.
1	Armature & Splined Adapter Assembly	5321-111-001	1
1-1	Armature	5321-111-022	1
1-2	Splined Armature Adapter	104-0008	1
1-3	Autogap Accessory Autogap Spring Retainer Ring	5321-101-006 808-0054 748-0373	1 1 1
1-4	Button Head Screw	797-0272	3
1-5	Locknut	661-0004	3
2	Mounting Accessory	5201-101-001	1
3	Splined Hub	540-0146	1
4	Mounting Accessory	5321-101-001	1
5	Magnet		1
	6 Volt	5301-631-002	
	24 Volt	5301-631-004	
	90 Volt	5301-631-005	
	†90 Volt LK Facing	5301-631-011	
5-1	Terminal Accessory	5311-101-001	1
6	Magnet Hub Assembly		1
	Right Hand	5301-541-002	
	Left Hand (shown)	5301-541-001	
6-1	Collector Ring	5301-749-001	1
6-2	Collector Ring Accessory	5301-101-002	1
7	Bushing, Taperlock*	180-0131 to 180-0149	1
8	Brushholder	5300-178-001	1
8-1	Brush	176-0001	4

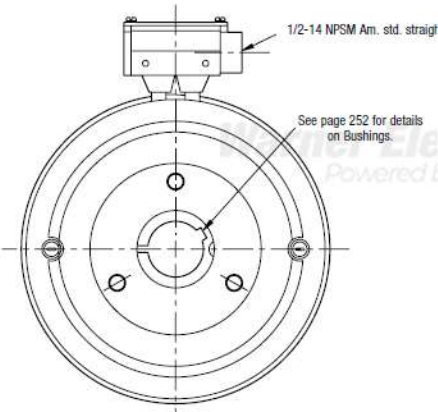
Item	Description	Part Number	Qty.
6-1	Collector Ring	5301-749-001	1
6-2	Collector Ring Accessory	5301-101-002	1
7	Bushing, Taperlock*	180-0131 to 180-0149	1
8	Brushholder	5300-178-001	1
8-1	Brush	176-0001	4

### Bushing Part Numbers

Shaft Size	Keyway Size	Warner Electric
1/2	1/8 X 1/16	180-0131
9/16	1/8 X 1/16	180-0132
5/8	3/16 X 3/32	180-0133
11/16	3/16 X 3/32	180-0134
3/4	3/16 X 3/32	180-0135
13/16	3/16 X 3/32	180-0136
7/8	3/16 X 3/32	180-0137
15/16	1/4 X 1/8	180-0138
1	1/4 X 1/8	180-0139
1 1/16	1/4 X 1/8	180-0140
1 1/8	1/4 X 1/8	180-0141
1 3/16	1/4 X 1/8	180-0142
1 1/4	1/4 X 1/8	180-0143
1 5/16	5/16 X 5/32	180-0144
1 3/8	5/16 X 5/32	180-0145
1 7/16	3/8 X 3/16	180-0146
1 1/2	3/8 X 3/16	180-0147
1 9/16	3/8 X 3/16	180-0148
1 5/8	3/8 X 3/16	180-0149



ARMATURE VIEW



COLLECTOR RING VIEW

Send Quote Requests to info@autor

Call +1(800)985-6929 To Order or Order Online At WarnerElectricParts.com