

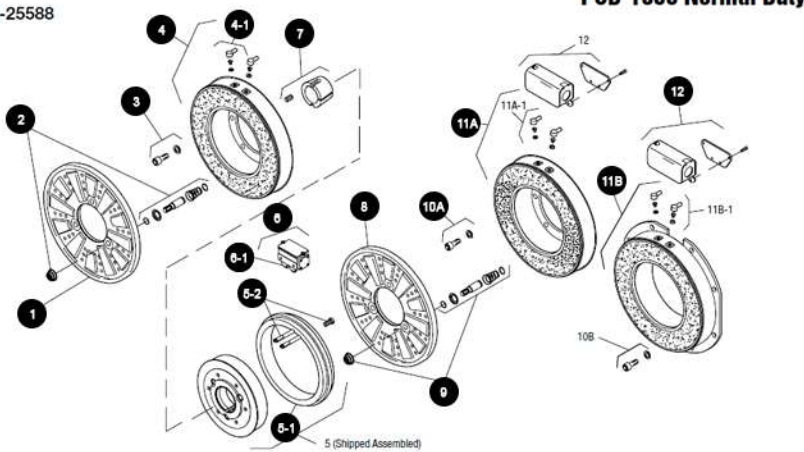
PCB Series Clutch/Brake

PCB-1000 Normal Duty



Unit Size	PCB-1000	
	Wt. (lbs.)	Inertia (lbs.ft. ²)
Magnet - Brake	10.549
Magnet - Clutch	10.549	1.297
Magnet Hub Assembly ..	5.702	.332
Bushing: Max. Bore to ...	1.553	.022
Min. Bore.....	3.575	.031
Armature & Pins	6.0	.629

Drawing I-25588



PCB-1000 Normal Duty

Item	Description	Part Number	Qty.
1	Armature	5302-111-013	1
2	Autogap Accessory	5201-101-008	3
3	Mounting Accessory	5321-101-001	1
4	Magnet		1
	6 Volt	5302-631-003	
	24 Volt	5302-631-014	
	90 Volt	5302-631-005	
	†90 Volt LK Facing	5302-631-001	
4-1	Terminal Accessory	5311-101-001	1
5	Magnet Hub		1
	Left Hand (shown)	5302-541-001	
	Right Hand	5302-541-002	
5-1	Collector Ring	5301-749-001	1
5-2	Collector Ring Assembly	5302-101-002	1
6	Brushholder	5300-178-001	1
6-1	Brush	176-0001	4
7	Bushing*		1
	1/2" to 2-1/2" Bore	180-0185 to 180-0217	
8	Armature	5302-111-013	1
9	Autogap Accessory	5201-101-008	3
10A	Mounting Accessory - I.M.	5321-101-001	1
10B	Mounting Accessory - O.M.	5321-101-002	2
11A	Magnet - Inside Mounted		1
	6 Volt	5312-631-004	
	24 Volt	5312-631-005	

Bushing Part Numbers

Shaft Size	Keyway Size	Warner Electric
1/2	1/8 x 1/16	180-0185
9/16	1/8 x 1/16	180-0186
5/8	3/16 x 3/32	180-0187
11/16	3/16 x 3/32	180-0188
3/4	3/16 x 3/32	180-0189
13/16	3/16 x 3/32	180-0190
7/8	3/16 x 3/32	180-0191
15/16	1/4 x 1/8	180-0192
1	1/4 x 1/8	180-0193
11/16	1/4 x 1/8	180-0194
1 1/8	1/4 x 1/8	180-0195
1 3/16	1/4 x 1/8	180-0196
1 1/4	1/4 x 1/8	180-0197
1 5/16	5/16 x 5/32	180-0198
1 3/8	5/16 x 5/32	180-0199
1 7/16	3/8 x 3/16	180-0200
1 1/2	3/8 x 3/16	180-0201
1 9/16	3/8 x 3/16	180-0202
1 5/8	3/8 x 3/16	180-0203

1 11/16	3/8 x 3/16	180-0204
1 3/4	3/8 x 3/16	180-0205
1 13/16	1/2 x 1/4	180-0206
1 7/8	1/2 x 1/4	180-0207
1 15/16	1/2 x 1/4	180-0208
2	1/2 x 1/4	180-0209
2 1/16	1/2 x 1/4	180-0210
2 1/8	1/2 x 1/4	180-0211
2 3/16	1/2 x 1/4	180-0212
2 1/4	1/2 x 1/4	180-0213
2 5/16	5/8 x 5/16	180-0214
2 3/8	5/8 x 5/16	180-0215
2 7/16	5/8 x 5/16	180-0216
2 1/2	5/8 x 5/16	180-0217

Item	Description	Part Number	Qty.
	90 Volt	5312-631-006	
	†90 Volt LK Facing	5312-631-001	
11A-1	Terminal Accessory	5311-101-001	1
11B	Magnet - Outside Mounted		1
	6 Volt	5312-631-011	
	24 Volt	5312-631-013	
	90 Volt	5312-631-012	
	†90 Volt LK Facing	5312-631-002	
11B-1	Terminal Accessory	5311-101-001	1
12	Conduit Box	5200-101-011	1