

# PCB Series Clutch/Brake

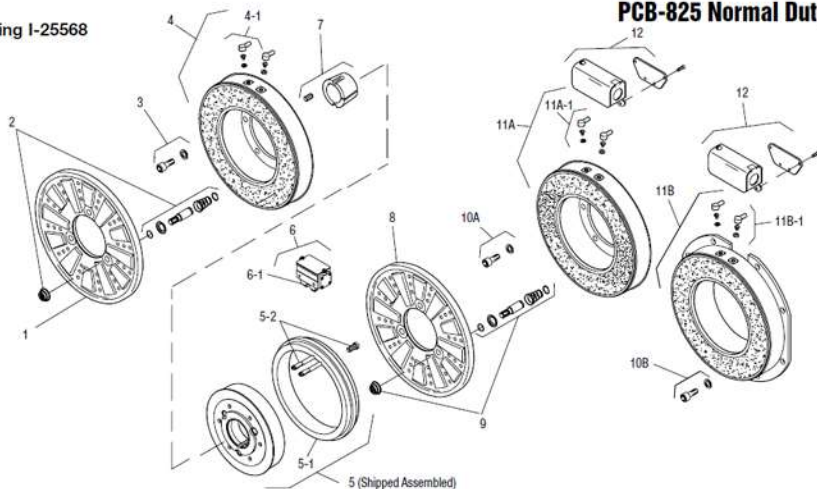
## PCB-825 Normal Duty



Unit Size	PCB-825	
	Wt. (lbs.)	Inertia (lbs.ft. <sup>2</sup> )
Magnet - Brake .....	7.780	.....
Magnet - Clutch .....	7.780	.571
Magnet Hub Assembly ..	4.362	.257
Bushing: Max. Bore to ..	.600	.004
Min. Bore.....	1.276	.005
Armature & Pins .....	4.783	.323

Drawing I-25568

PCB-825 Normal Duty



Item	Description	Part Number	Qty.
1	Armature	5301-111-018	1
2	Autogap Accessory	5201-101-008	3
3	Mounting Accessory	5321-101-001	1
4	Magnet		1
	6 Volt	5301-631-002	
	24 Volt	5301-631-004	
	90 Volt	5301-631-005	
	†90 Volt LK Facing	5301-631-011	
4-1	Terminal Accessory	5311-101-001	1
5	Magnet Hub		1
	Left Hand (shown)	5301-541-001	
	Right Hand	5301-541-002	
5-1	Collector Ring	5301-749-001	1
5-2	Collector Ring Assembly	5301-101-002	1
6	Brushholder	5300-178-001	1
6-1	Brush	176-0001	4
7	Bushing*		1
	1/2" to 1-5/8" Bore	180-0131 to 180-0149	
8	Armature	5301-111-018	1
9	Autogap Accessory	5201-101-008	3
10A	Mounting Accessory - I.M.	5321-101-001	1
10B	Mounting Accessory - O.M.	5321-101-002	1
11A	Magnet - Inside Mounted		1
	6 Volt	5311-631-002	
	24 Volt	5311-631-003	

### Bushing Part Numbers

Shaft Size	Keyway Size	Warner Electric
1/2	1/8 x 1/16	180-0131
9/16	1/8 x 1/16	180-0132
5/8	3/16 x 3/32	180-0133
11/16	3/16 x 3/32	180-0134
3/4	3/16 x 3/32	180-0135
13/16	3/16 x 3/32	180-0136
7/8	3/16 x 3/32	180-0137
15/16	1/4 x 1/8	180-0138
1	1/4 x 1/8	180-0139
1 1/16	1/4 x 1/8	180-0140
1 1/8	1/4 x 1/8	180-0141
1 3/16	1/4 x 1/8	180-0142
1 1/4	1/4 x 1/8	180-0143
1 5/16	5/16 x 5/32	180-0144
1 3/8	5/16 x 5/32	180-0145
1 7/16	3/8 x 3/16	180-0146
1 1/2	3/8 x 3/16	180-0147
1 9/16	3/8 x 3/16	180-0148
1 5/8	3/8 x 3/16	180-0149

Item	Description	Part Number	Qty.
	90 Volt	5311-631-004	
	†90 Volt LK Facing	5311-631-011	
11A-1	Terminal Accessory	5311-101-001	1
11B	Magnet - Outside Mounted		1
	6 Volt	5311-631-007	
	24 Volt	5311-631-009	
	90 Volt	5311-631-008	
	†90 Volt LK Facing	5311-631-012	
11B-1	Terminal Accessory	5311-101-001	1
12	Conduit Box	5200-101-011	1

Warner Electric  
Powered by

