

PCBC Series Clutch/Brake Coupling

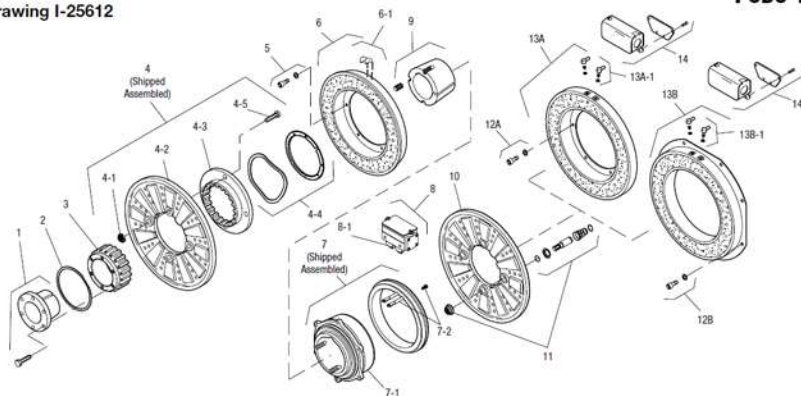
PCBC-1225

Unit Size	PCBC-1225	
	Wt. (lbs.)	Inertia (lbs.ft. ²)
Magnet - Brake	18.557
Magnet - Clutch	18.557	3.495
Magnet Hub Assembly	7.252	.461
Bushing - Magnet Hub: Max. Bore to..	4.055	.085
Min. Bore.....	9.141	.133
Armature & Splined Adapter - Clutch ..	13.317	1.671
Armature & Pins - Brake.....	13.408	1.817
Splined Hub	10.84	1.7
Bushing - Splined Hub: Max. Bore to..	2.064	.033
Min. Bore.....	4.171	.048



Drawing I-25612

PCBC-1225



Bushing Part Numbers

Shaft Size	Keyway Size	Warner Electric
15/16	1/4 x 1/8	180-0262
1	1/4 x 1/8	180-0263
1 1/16	1/4 x 1/8	180-0264
1 1/8	1/4 x 1/8	180-0265
1 3/16	1/4 x 1/8	180-0266
1 1/4	1/4 x 1/8	180-0267
1 5/16	5/16 x 5/32	180-0268
1 3/8	5/16 x 5/32	180-0269
1 7/16	3/8 x 3/16	180-0270
1 1/2	3/8 x 3/16	180-0271
1 9/16	3/8 x 3/16	180-0272
1 5/8	3/8 x 3/16	180-0273
1 11/16	3/8 x 3/16	180-0274
1 3/4	3/8 x 3/16	180-0275
1 13/16	1/2 x 1/4	180-0276
1 7/8	1/2 x 1/4	180-0277
1 15/16	1/2 x 1/4	180-0278
2	1/2 x 1/4	180-0279

2 1/16	1/2 x 1/4	180-0280
2 1/8	1/2 x 1/4	180-0281
2 3/16	1/2 x 1/4	180-0282
2 1/4	1/2 x 1/4	180-0283
2 5/16	5/8 x 5/16	180-0284
2 3/8	5/8 x 5/16	180-0285
2 7/16	5/8 x 5/16	180-0286
2 1/2	5/8 x 5/16	180-0287
2 9/16	5/8 x 5/16	180-0288
2 5/8	5/8 x 5/16	180-0289
2 11/16	5/8 x 5/16	180-0290
2 3/4	5/8 x 5/16	180-0291
2 13/16	3/4 x 3/8	180-0292
2 7/8	3/4 x 3/8	180-0293
2 15/16	3/4 x 3/8	180-0294
3	3/4 x 3/8	180-0295

Item	Description	Part Number	Qty.
1	Bushing*		1
	3/4" to 2-11/16" Bore	180-0026 to 180-0057	
2	Retainer Ring	748-0005	1
3	Splined hub	540-0064	1
4	Armature & Splined Adapter	5323-111-001	1
4-1	Locknut	661-0005	4
4-2	Armature	5323-111-034	1
4-3	Splined Adapter	104-0010	1
4-4	Autogap Accessory	5323-101-002	1
4-5	Screw	797-0281	4
5	Mounting Accessory	5321-101-001	1
6	Magnet		1
	6 Volt	5303-631-005	
	24 Volt	5303-631-007	
	90 Volt	5303-631-008	
	†90 Volt LK Facing	5303-631-001	
6-1	Terminal Accessory	5311-101-001	1
7	Magnet Hub		1
	Left Hand (shown)	5303-541-001	
	Right Hand	5303-541-002	
7-1	Collector Ring	5301-749-001	1
7-2	Collector Ring Assembly	5303-101-004	1
8	Brushholder	5300-178-001	1
8-1	Brush	176-0001	4
9	Bushing*		1
	15/16" to 3" Bore	180-0262 to 180-0295	
10	Armature	5303-111-009	1
11	Autogap Accessory	5201-101-008	4
12A	Mounting Accessory - I.M.	5321-101-001	1
12B	Mounting Accessory - O.M.	5321-101-002	2
Item	Description	Part Number	Qty.
13A	Magnet - Inside Mounted		1
	6 Volt	5313-631-005	
	24 Volt	5313-631-006	
	90 Volt	5313-631-007	
	†90 Volt LK Facing	5313-631-001	
13A-1	Terminal Accessory	5311-101-001	1
13B	Magnet - Outside Mounted		1
	6 Volt	5313-631-010	
	24 Volt	5313-631-012	
	90 Volt	5313-631-011	
	†90 Volt LK Facing	5313-631-002	
13B-1	Terminal Accessory	5311-101-001	1
14	Conduit Box	5200-101-011	1