

## PCBC Series Clutch/Brake Coupling

### PCBC-1525/1225

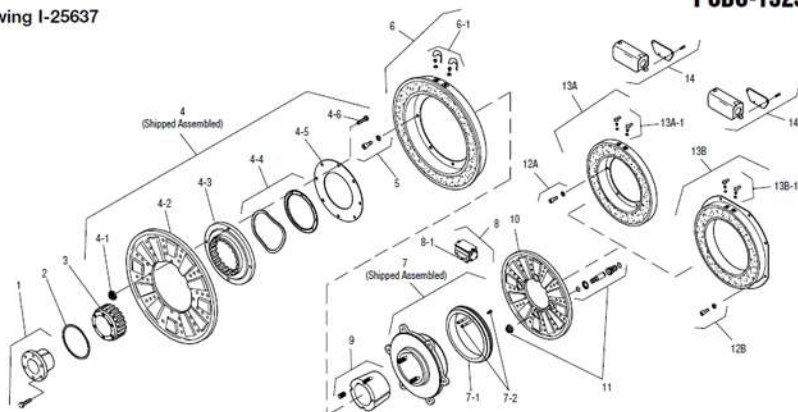


Unit Size	PCBC-1225/1000	
	Wt. (lbs.)	Inertia (lbs.ft. <sup>2</sup> )
Magnet - Brake .....	10.549	.....
Magnet - Clutch .....	18.557	3.495
Magnet Hub Assembly .....	5.702	.332
Bushing - Magnet Hub: Max. Bore to..	1.553	.022
Min. Bore.....	3.575	.031
Armature & Splined Adapter - Clutch ..	13.523	1.737
Armature - Brake.....	6.0	.629
Splined Hub .....	3.582	.077
Bushing - Splined Hub: Max. Bore to..	2.064	.033
Min. Bore.....	4.171	.048

Item	Description	Part Number	Qty.
1	Bushing*		1
	3/4" to 2-11/16" Bore	180-0026 to 180-0057	
2	Retainer Ring	748-0005	1
3	Splined Hub	540-0064	1
4	Armature & Splined Adapter	5324-111-001	1
4-1	Locknut	661-0004	8
4-2	Armature	5324-111-034	1
4-3	Splined Adapter	104-0011	1
4-4	Autogap Accessory	5323-101-002	1
4-5	Retainer Plate	686-0003	1
4-6	Screw	797-0272	8
5	Mounting Accessory	5321-101-001	2
6	Magnet		1
	6 Volt	5304-631-009	
	24 Volt	5304-631-011	
	90 Volt	5304-631-010	
	†90 Volt LK Facing	5304-631-002	
6-1	Terminal Accessory	5311-101-001	1
7	Magnet Hub		1
	Left Hand (shown)	5304-541-001	
	Right Hand	5304-541-002	
7-1	Collector Ring	5301-749-001	1
7-2	Collector Ring Accessory	5304-101-004	1
8	Brushholder	5300-178-001	1
8-1	Brush	176-0001	4
9	Bushing*		1
	15/16" to 3" Bore	180-0262 to 180-0295	
10	Armature	5303-111-009	1
11	Autogap Accessory	5201-101-008	4
12A	Mounting Accessory - I.M.	5321-101-001	1
Item	Description	Part Number	Qty.
12B	Mounting Accessory - O.M.	5321-101-002	2
13A	Magnet - Inside Mounted		1
	6 Volt	5313-631-005	
	24 Volt	5313-631-006	
	90 Volt	5313-631-007	
	†90 Volt LK Facing	5313-631-001	
13A-1	Terminal Accessory	5311-101-001	1
13B	Magnet - Outside Mounted		1
	6 Volt	5313-631-010	
	24 Volt	5313-631-012	
	90 Volt	5313-631-011	
	†90 Volt LK Facing	5313-631-002	
13B-1	Terminal Accessory	5311-101-001	1
14	Conduit Box	5200-101-010	1

Drawing I-25637

PCBC-1525/1225



### Bushing Part Numbers

Shaft Size	Keyway Size	Warner Electric
3/4	3/16 X 3/32	180-0026
13/16	3/16 X 3/32	180-0027
7/8	3/16 X 3/32	180-0028
15/16	1/4 X 1/8	180-0029
1	1/4 X 1/8	180-0030
1 1/16	1/4 X 1/8	180-0031
1 1/8	1/4 X 1/8	180-0032
1 3/16	1/4 X 1/8	180-0033
1 1/4	1/4 X 1/8	180-0034
1 5/16	5/16 X 5/32	180-0035
1 3/8	5/16 X 5/32	180-0036
1 7/16	3/8 X 3/16	180-0037
1 1/2	3/8 X 3/16	180-0038
1 9/16	3/8 X 3/16	180-0039
1 5/8	3/8 X 3/16	180-0040
1 11/16	3/8 X 3/16	180-0041
1 3/4	3/8 X 3/16	180-0042
1 13/16	1/2 X 1/4	180-0043
1 7/8	1/2 X 1/4	180-0044
1 15/16	1/2 X 1/4	180-0045

2	1/2 X 1/4	180-0046
2 1/16	1/2 X 1/4	180-0047
2 1/8	1/2 X 1/4	180-0048
2 3/16	1/2 X 1/4	180-0049
2 1/4	1/2 X 1/4	180-0050
2 5/16	5/8 X 5/16	180-0051
2 3/8	5/8 X 5/16	180-0052
2 7/16	5/8 X 5/16	180-0053
2 1/2	5/8 X 5/16	180-0054
2 9/16	5/8 X 5/16	180-0055
2 5/8	5/8 X 5/16	180-0056
2 11/16	5/8 X 5/16	180-0057