

PCBC Series Clutch/Brake Coupling

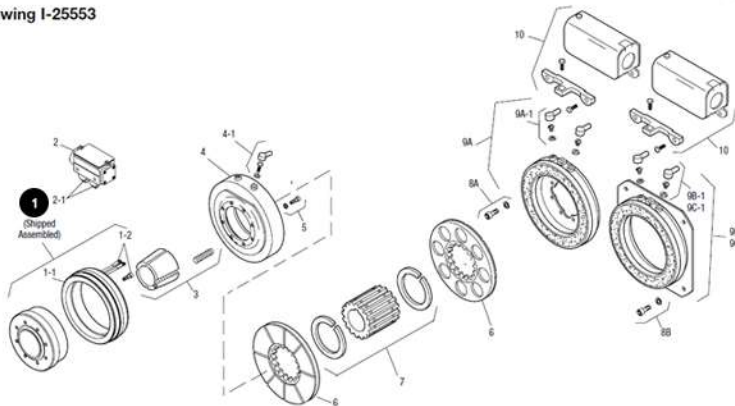
PCBC-500 Heavy Duty



Unit Size	PCBC-500, H.D.	
	Wt. (lbs.)	Inertia (lbs.ft. ²)
Field & Rotor Assembly
Field.....
Rotor.....
Rotor Hub.....
Magnet.....	2.800	.074
Magnet Hub Assembly.....	1.224	.031
Armature.....	1.192	.029
Armature & Pins.....
Armature Hub.....
Bushing: Max. Bore to.....	.436	.002
Min. Bore.....	.842	.003
Splined Hub: 5300-541-006.....	1.914	.0073
5300-541-007.....	1.800	.0071
5300-541-008.....	1.735	.0071
5300-541-009.....	1.667	.0069
5300-541-010.....	1.518	.0067
5300-541-011.....	1.351	.0063

Drawing I-25553

PCBC-500 Heavy Duty



Item	Description	Part Number	Qty.
1	Magnet Hub	5300-541-001	1
1-1	Collector Ring	5300-749-001	1
1-2	Collector Ring Mounting Accessory	5300-101-002	1
2	Brushholder	5300-178-001	1
2-1	Brush	176-0001	4
3	Bushing*		1
	1/2" - 1-1/4" Bore	180-0116 to 180-0128	
4	Magnet, Clutch		1
	6 Volt	5300-631-002	
	24 Volt	5300-631-003	
	90 Volt	5300-631-005	
4-1	Terminal Accessory	5311-101-001	1
5	Mounting Accessory	5102-101-001	2
6	Armature	5230-111-002	2
7	Armature Hub		1

Bore	Keyway	Part Number	Qty.
3/4"	3/16 x 3/32	5300-541-006	
7/8"	3/16 x 3/32	5300-541-007	
15/16"	1/4 x 1/8	5300-541-008	
1"	1/4 x 1/8	5300-541-009	
1-1/8"	1/4 x 1/8	5300-541-010	
1-1/4"	1/4 x 1/8	5300-541-011	
8A	Mounting Accessory - I.M.	5102-101-001	2
8B	Mounting Accessory - O.M.	5300-101-008	1
9A	Magnet - I.M.		1
	6 Volt	5300-631-002	
	24 Volt	5300-631-003	
	90 Volt	5300-631-005	

Bushing Part Numbers

Shaft Size	Keyway Size	Warner Electric
1/2	1/8 x 1/16	180-0116
9/16	1/8 x 1/16	180-0117
5/8	3/16 x 3/32	180-0118
11/16	3/16 x 3/32	180-0119
3/4	3/16 x 3/32	180-0120
13/16	3/16 x 3/32	180-0121
7/8	3/16 x 3/32	180-0122
15/16	1/4 x 1/8	180-0123
1	1/4 x 1/8	180-0124
1 1/16	1/4 x 1/8	180-0125
1 1/8	1/4 x 1/8	180-0126
1 3/16	1/4 x 1/8	180-0127
1 1/4	1/4 x 1/8	180-0128

Item	Description	Part Number	Qty.
9A-1	Terminal Accessory	5311-101-001	1
9B	Magnet - O.M. - Offset		1
	90 Volt	5300-631-014	
9B-1	Terminal Accessory	5311-101-001	1
9C	Magnet - O.M. - Flush		1
	6 Volt	5300-631-009	
	24 Volt	5300-631-010	
	90 Volt	5300-631-011	
9C-1	Terminal Accessory	5311-101-001	1
10	Conduit Box	5200-101-010	1