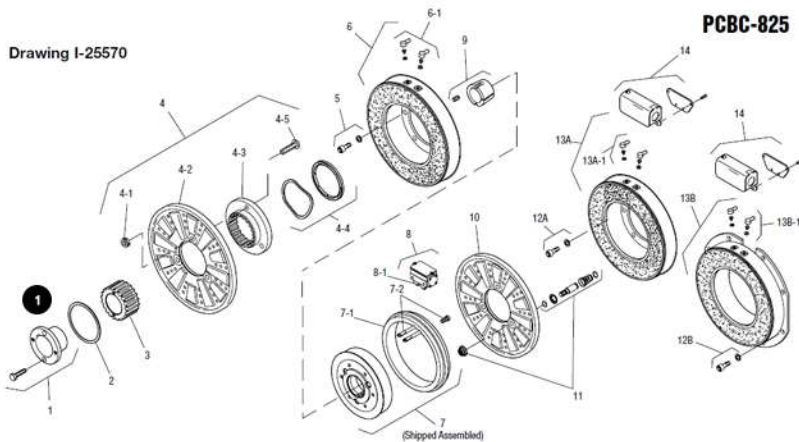


PCBC Series Clutch/Brake Coupling

PCBC-825

Unit Size	PCBC-825	
	Wt. (lbs.)	Inertia (lbs.ft. ²)
Magnet - Brake	7.780
Magnet - Clutch	7.780	.571
Magnet Hub Assembly	4.362	.257
Bushing - Magnet Hub: Max. Bore to..	.600	.004
Min. Bore.....	1.276	.005
Armature & Splined Adapter - Clutch ..	4.49	.281
Armature & Pins - Brake.....	5.263	.326
Splined Hub	4.783	.323
Bushing - Splined Hub: Max. Bore to..	.301	.002
Min. Bore.....	.762	.003



Item	Description	Part Number	Qty.
1	Bushing* - 1/2" to 1-1/2" Bore	180-0002 to 180-0018	1
2	Retainer Ring	748-0006	1
3	Splined Hub	540-0057	1
4	Armature & Splined Adapter	5321-111-001	1
4-1	Locknut	661-0004	3
4-2	Armature	5321-111-022	1
4-3	Splined Adapter	104-0008	1
4-4	Autogap Accessory	5321-101-006	1
4-5	Screw	797-0272	3
5	Mounting Accessory	5321-101-001	1
6	Magnet		1
	6 Volt	5301-631-002	
	24 Volt	5301-631-004	
	90 Volt	5301-631-005	
	†90 Volt LK Facing	5301-631-011	
6-1	Terminal Accessory	5311-101-001	1
7	Magnet Hub		1
	Left Hand (shown)	5301-541-001	
	Right Hand	5301-541-002	
7-1	Collector Ring	5301-749-001	1
7-2	Collector Ring Accessory	5301-101-002	1
8	Brushholder	5300-178-001	1
8-1	Brush	176-0001	4
9	Bushing* - 1/2" to 1-5/8" Bore	180-0131 to 180-0149	1
10	Armature	5301-111-018	1
11	Autogap Accessory	5201-101-008	3
12A	Mounting Accessory - I.M.	5321-101-001	1
12B	Mounting Accessory - O.M.	5321-101-002	1
13A	Magnet - Inside Mounted		1
	6 Volt	5311-631-002	

Item	Description	Part Number	Qty.
	24 Volt	5311-631-003	
	90 Volt	5311-631-004	
	†90 Volt LK Facing	5311-631-011	
13A-1	Terminal Accessory	5311-101-001	1
13B	Magnet - Outside Mounted		1
	6 Volt	5311-631-007	
	24 Volt	5311-631-009	
	90 Volt	5311-631-008	
	†90 Volt LK Facing	5311-631-012	
13B-1	Terminal Accessory	5311-101-001	1
14	Conduit Box	5200-101-011	1

Bushing Part Numbers

Shaft Size	Keyway Size	Warner Electric
1/2	1/8 x 1/16	180-0131
9/16	1/8 x 1/16	180-0132
5/8	3/16 x 3/32	180-0133
11/16	3/16 x 3/32	180-0134
3/4	3/16 x 3/32	180-0135
13/16	3/16 x 3/32	180-0136
7/8	3/16 x 3/32	180-0137
15/16	1/4 x 1/8	180-0138
1	1/4 x 1/8	180-0139
1 1/16	1/4 x 1/8	180-0140
1 1/8	1/4 x 1/8	180-0141
1 3/16	1/4 x 1/8	180-0142
1 1/4	1/4 x 1/8	180-0143
1 5/16	5/16 x 5/32	180-0144
1 3/8	5/16 x 5/32	180-0145
1 7/16	3/8 x 3/16	180-0146
1 1/2	3/8 x 3/16	180-0147
1 9/16	3/8 x 3/16	180-0148
1 5/8	3/8 x 3/16	180-0149

Warner
Power