

PCC Series Clutch Coupling

PCC-1000

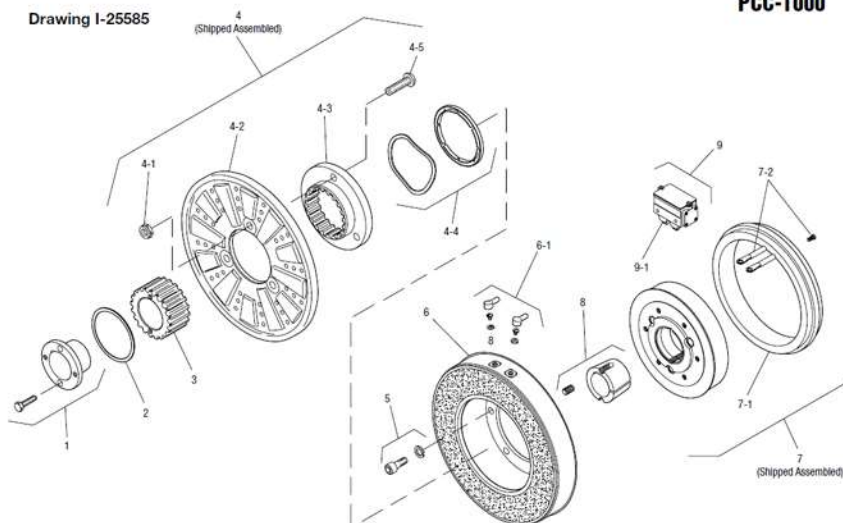


Unit Size	PCC-1000	
	Wt. (lbs.)	Inertia (lbs.ft. ²)
Magnet.....	10.549	1.297
Magnet Hub Assembly.....	5.702	.332
Armature & Splined Adapter.....	6.84	.667
Splined Hub.....	3.547	.077
Bushing - Magnet Hub		
Max. Bore to.....	1.533	.022
Min. Bore.....	3.575	.031
Bushing - Splined Hub		
Max. Bore to.....	2.064	.033
Min. Bore.....	4.171	.048

Item	Description	Part Number	Qty.
1	Bushing*		1
	3/4" to 2-11/16" Bore	180-0026 to 180-0057	
2	Retainer Ring	748-0007	1
3	Splined Hub	540-0062	1
4	Armature & Splined Adapter	5322-111-002	1
4-1	Locknut	661-0004	3
4-2	Armature	5322-111-036	1
4-3	Splined Adapter	104-0009	1
4-4	Autogap Accessory	5322-101-004	1
4-5	Screw	797-0272	3
5	Mounting Accessory	5321-101-001	1
6	Magnet		1
	6 Volt	5302-631-003	
	24 Volt	5302-631-014	
	90 Volt	5302-631-005	
	†90 Volt Optional LK Facing	5302-631-001	
6-1	Terminal Accessory	5311-101-001	1
7	Magnet Hub		1
	Left Hand (shown)	5302-541-001	
	Right Hand	5302-541-002	
7-1	Collector Ring	5301-749-001	1
7-2	Collector Ring Accessory	5302-101-002	1

Drawing I-25585

PCC-1000

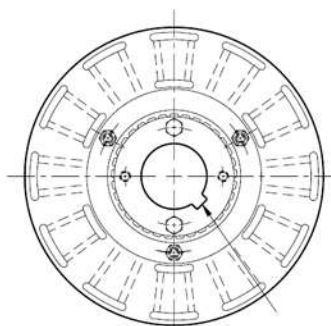


Item	Description	Part Number	Qty.
8	Bushing*		1
	1/2" to 2-1/2" Bore	180-0185 to 180-0217	
9	Brushholder	5300-178-001	1
9-1	Brush	176-0001	4

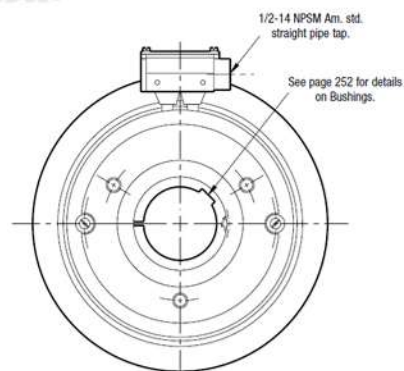
Bushing Part Numbers

Shaft Size	Keyway Size	Warner Electric
3/4	3/16 x 3/32	180-0026
13/16	3/16 x 3/32	180-0027
7/8	3/16 x 3/32	180-0028
15/16	1/4 x 1/8	180-0029
1	1/4 x 1/8	180-0030
1 1/16	1/4 x 1/8	180-0031
1 1/8	1/4 x 1/8	180-0032
1 3/16	1/4 x 1/8	180-0033
1 1/4	1/4 x 1/8	180-0034
1 5/16	5/16 x 5/32	180-0035
1 3/8	5/16 x 5/32	180-0036
1 7/16	3/8 x 3/16	180-0037
1 1/2	3/8 x 3/16	180-0038
1 9/16	3/8 x 3/16	180-0039
1 5/8	3/8 x 3/16	180-0040
1 11/16	3/8 x 3/16	180-0041
1 3/4	3/8 x 3/16	180-0042
1 13/16	1/2 x 1/4	180-0043
1 7/8	1/2 x 1/4	180-0044
1 15/16	1/2 x 1/4	180-0045

2	1/2 x 1/4	180-0046
2 1/16	1/2 x 1/4	180-0047
2 1/8	1/2 x 1/4	180-0048
2 3/16	1/2 x 1/4	180-0049
2 1/4	1/2 x 1/4	180-0050
2 5/16	5/8 x 5/16	180-0051
2 3/8	5/8 x 5/16	180-0052
2 7/16	5/8 x 5/16	180-0053
2 1/2	5/8 x 5/16	180-0054
2 9/16	5/8 x 5/16	180-0055
2 5/8	5/8 x 5/16	180-0056
2 11/16	5/8 x 5/16	180-0057



ARMATURE VIEW



COLLECTOR RING VIEW