

PCC Series Clutch Coupling

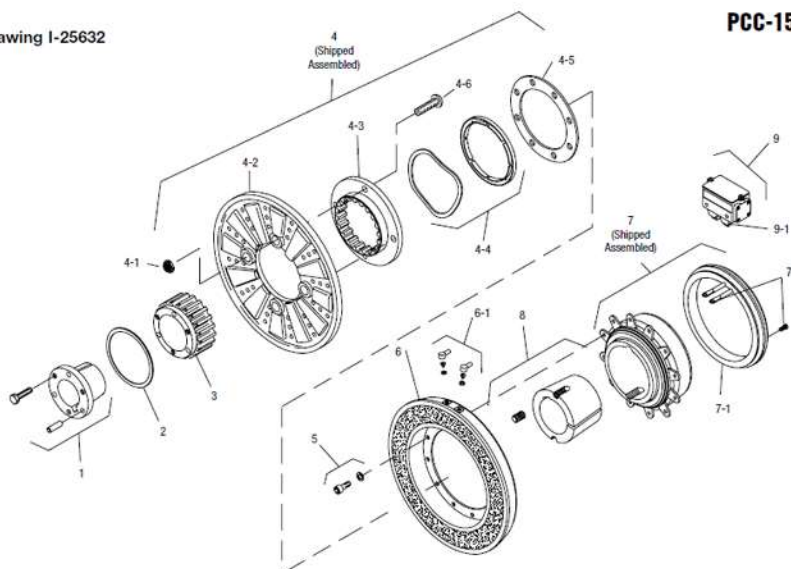
PCC-1525



Unit Size	PCC-1525	
	Wt. (lbs.)	Inertia (lbs.ft. ²)
Magnet.....	27.817	7.416
Magnet Hub Assembly.....	9.350	.680
Armature & Splined Adapter.....	22.528	4.498
Splined Hub.....	3.582	.077
Bushing - Magnet Hub		
Max. Bore to.....	4.055	.085
Min. Bore.....	9.141	.133
Bushing - Splined Hub		
Max. Bore to.....	2.064	.033
Min. Bore.....	4.171	.048

Drawing I-25632

PCC-1525



Bushing Part Numbers

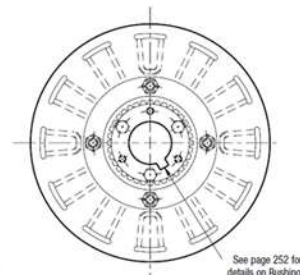
Shaft Size	Keyway Size	Warner Electric
15/16	1/4 x 1/8	180-0262
1	1/4 x 1/8	180-0263
1 1/16	1/4 x 1/8	180-0264
1 1/8	1/4 x 1/8	180-0265
1 3/16	1/4 x 1/8	180-0266
1 1/4	1/4 x 1/8	180-0267
1 5/16	5/16 x 5/32	180-0268
1 3/8	5/16 x 5/32	180-0269
1 7/16	3/8 x 3/16	180-0270
1 1/2	3/8 x 3/16	180-0271
1 9/16	3/8 x 3/16	180-0272
1 5/8	3/8 x 3/16	180-0273
1 11/16	3/8 x 3/16	180-0274
1 3/4	3/8 x 3/16	180-0275
1 13/16	1/2 x 1/4	180-0276
1 7/8	1/2 x 1/4	180-0277
1 15/16	1/2 x 1/4	180-0278

2	1/2 x 1/4	180-0279
2 1/16	1/2 x 1/4	180-0280
2 1/8	1/2 x 1/4	180-0281
2 3/16	1/2 x 1/4	180-0282
2 1/4	1/2 x 1/4	180-0283
2 5/16	5/8 x 5/16	180-0284
2 3/8	5/8 x 5/16	180-0285
2 7/16	5/8 x 5/16	180-0286
2 1/2	5/8 x 5/16	180-0287
2 9/16	5/8 x 5/16	180-0288
2 5/8	5/8 x 5/16	180-0289
2 11/16	5/8 x 5/16	180-0290
2 3/4	5/8 x 5/16	180-0291
2 13/16	3/4 x 3/8	180-0292
2 7/8	3/4 x 3/8	180-0293
2 15/16	3/4 x 3/8	180-0294
3	3/4 x 3/8	180-0295

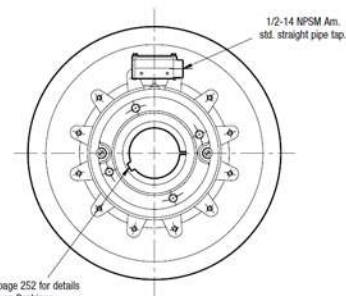
Item	Description	Part Number	Qty.
1	Bushing*		1
	3/4" to 2-11/16" Bore	180-0026 to 180-0057	
2	Retainer Ring	748-0005	1
3	Splined Hub	540-0064	1
4	Armature & Splined Adapter	5324-111-001	1
4-1	Locknut	661-0004	8
4-2	Armature	5324-111-034	1
4-3	Splined Adapter	104-0011	1
4-4	Autogap Accessory	5323-101-002	1
4-5	Retainer Plate	686-0003	1
4-6	Screw	797-0272	8
5	Mounting Accessory	5321-101-001	2
6	Magnet		1

	6 Volt	5304-631-009	
	24 Volt	5304-631-011	
	90 Volt	5304-631-010	
	†90 Volt Optional LK Facing	5304-631-002	
6-1	Terminal Accessory	5311-101-001	1
7	Magnet Hub		1
	Left Hand (shown)	5304-541-001	
	Right Hand	5304-541-002	
7-1	Collector Ring	5301-749-001	1
7-2	Collector Ring Accessory	5304-101-004	1

Item	Description	Part Number	Qty.
8	Bushing*		1
	15/16" to 3" Bore	180-0262 to 180-0295	
9	Brushholder	5300-178-001	1
9-1	Brush	176-0001	4



ARMATURE VIEW



PCC-1525 COLLECTOR RING VIEW