

PCC Series Clutch Coupling

PCC-500 Normal Duty

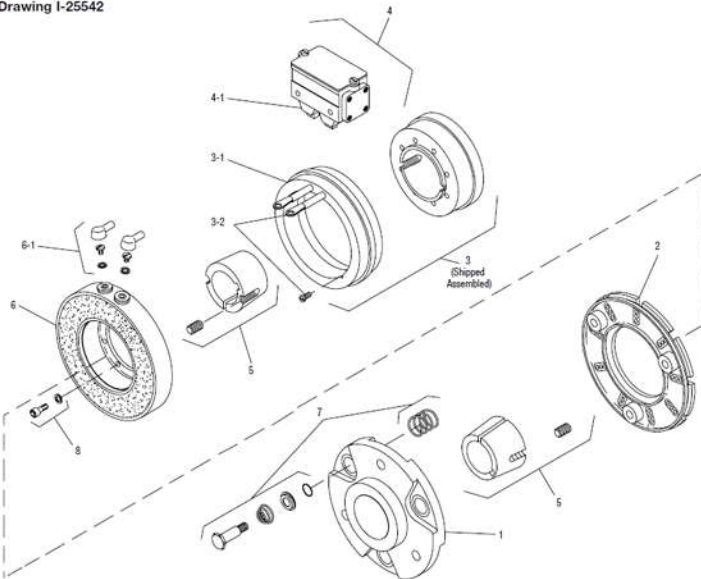


Unit Size	PCC-500, N.D.	
	Wt. (lbs.)	Inertia (lbs.ft. ²)
Magnet.....	2.800	.074
Magnet Hub Assembly...	1.224	.031
Armature & Pins	1.20	.033
Armature
Armature Hub.....	.941	.018
Bushing: Max. Bore to436	.002
Min. Bore.....	.842	.003

Item	Description	Part Number	Qty.
1	Armature Hub	5300-541-004	1
2	Armature	5300-111-002	1
3	Magnet Hub	5300-541-001	1
3-1	Collector Ring	5300-749-001	1
3-2	Collector Ring Mounting Accessory	5300-101-002	1
4	Brushholder	5300-178-001	1
4-1	Brush	176-0001	4
5	Bushing*		2
	1/2" to 1-1/4" Bore	180-0116 to 180-0128	
6	Magnet		
	6 Volt	5300-631-002	
	24 Volt	5300-631-003	
	90 Volt	5300-631-005	
6-1	Terminal Accessory	5311-101-001	1
7	Autogap Accessory	5200-101-009	3
Item	Description	Part Number	Qty.
8	Mounting Accessory	5102-101-001	2

Drawing I-25542

PCC-500 Normal Duty

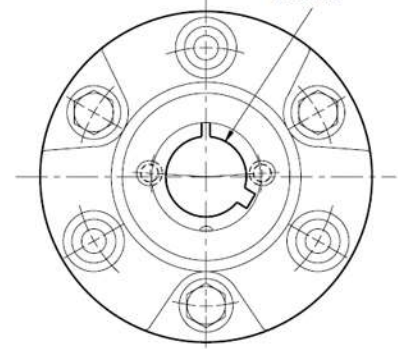


Warner Electric Parts
automatedPT

Bushing Part Numbers

Shaft Size	Keyway Size	Warner Electric
1/2	1/8 x 1/16	180-0116
9/16	1/8 x 1/16	180-0117
5/8	3/16 x 3/32	180-0118
11/16	3/16 x 3/32	180-0119
3/4	3/16 x 3/32	180-0120
13/16	3/16 x 3/32	180-0121
7/8	3/16 x 3/32	180-0122
15/16	1/4 x 1/8	180-0123
1	1/4 x 1/8	180-0124
1 1/16	1/4 x 1/8	180-0125
1 1/8	1/4 x 1/8	180-0126
1 3/16	1/4 x 1/8	180-0127
1 1/4	1/4 x 1/8	180-0128

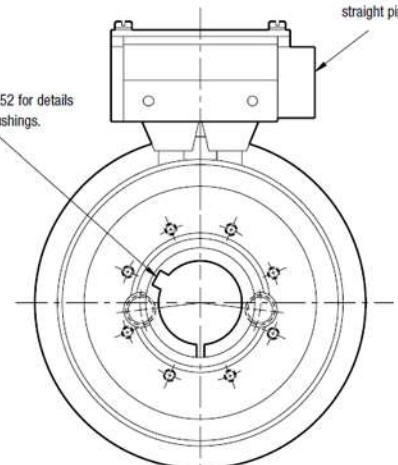
See page 252 for details on Bushings.



HUB VIEW

1/2-14 NPSM Am. std. straight pipe tap.

See page 252 for details on Bushings.



COLLECTOR RING VIEW