

PCC Series Clutch Coupling

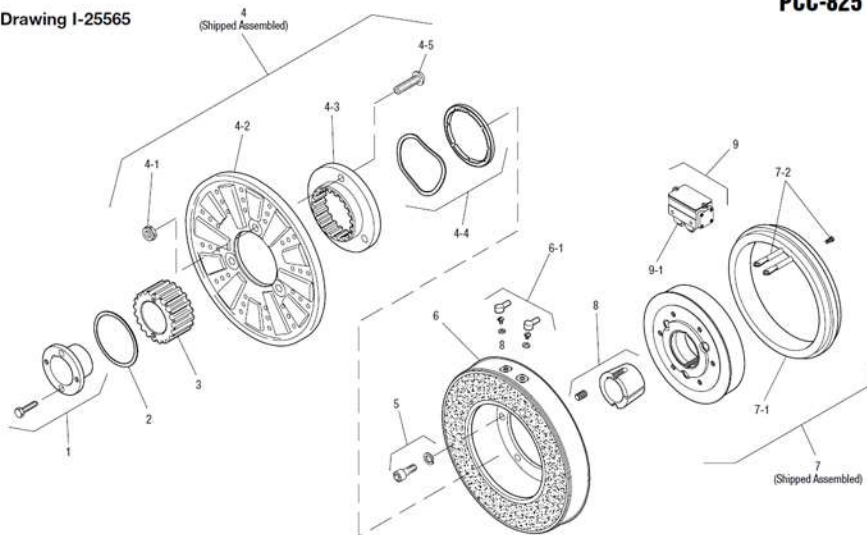
PCC-825



Unit Size	PCC-825	
	Wt. (lbs.)	Inertia (lbs.ft. ²)
Magnet.....	7.780	.571
Magnet Hub Assembly.....	4.362	.257
Armature & Splined Adapter.....	5.263	.326
Splined Hub.....	.834	.006
Bushing - Magnet Hub		
Max. Bore to.....	.600	.004
Min. Bore.....	1.276	.005
Bushing - Splined Hub		
Max. Bore to.....	.301	.002
Min. Bore.....	.762	.003

Item	Description	Part Number	Qty.
1	Armature Hub		1
	3/4" Bore	5200-541-002	
	7/8" Bore	5200-541-003	
	15/16" Bore	5200-541-004	
	1" Bore	5200-541-005	
	1-1/8" Bore	5200-541-006	
	1-1/4" Bore	5200-541-007	
2	Armature Assembly	5230-111-002	1
2-1	Armature	5230-111-001	1
2-2	Retainer Ring	748-0355	1
2-3	Autogap Spring	808-0412	1
2-4	Retainer Plate	748-0364	1
2-5	Screw	797-0028	3
3	Magnet Hub	5300-541-001	1
3-1	Collector Ring	5300-749-001	1
3-2	Collector Ring Mounting Acc.	5300-101-002	1
4	Brushholder	5300-178-001	1
4-1	Brush	176-0001	4
5	Bushing*		2
	1/2" to 1-1/4" Bore	180-0116 to 180-0128	

Drawing I-25565



PCC-825

Item	Description	Part Number	Qty.
6	Magnet		1
	6 Volt	5300-631-002	
	24 Volt	5300-631-003	
	90 Volt	5300-631-005	
6-1	Terminal Accessory	5311-101-001	1
7	Mounting Accessory	5102-101-001	2

Bushing Part Numbers

Shaft Size	Keyway Size	Warner Electric
1/2	1/8 X 1/16	180-0002
9/16	1/8 X 1/16	180-0003
5/8	3/16 X 3/32	180-0004
11/16	3/16 X 3/32	180-0005
3/4	3/16 X 3/32	180-0006
13/16	3/16 X 3/32	180-0007
7/8	3/16 X 3/32	180-0008
15/16	1/4 X 1/8	180-0009
1	1/4 X 1/8	180-0010
11/16	1/4 X 1/8	180-0011
1 1/8	1/4 X 1/8	180-0012
1 3/16	1/4 X 1/8	180-0013
1 1/4	1/4 X 1/8	180-0014
1 5/16	5/16 X 5/32	180-0015
1 3/8	5/16 X 5/32	180-0016
1 7/16	3/8 X 3/16	180-0017
1 1/2	3/8 X 3/16	180-0018

