

# Series SF Clutch

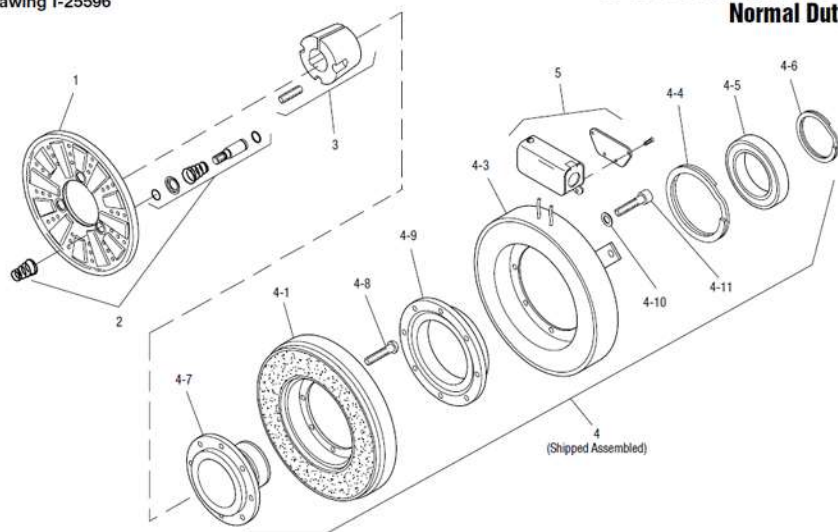
## SF-1000 Bearing Mounted Normal Duty



Unit Size	SF-1000, B.M.	
	Wt. (lbs.)	Inertia (lbs.ft. <sup>2</sup> )
Field & Rotor Assembly .....	26.905	1.004
Field.....	11.125	.....
Field Hub & Brg.....	3.400	.....
Rotor .....	7.880	.894
Rotor Hub.....	4.500	.110
Armature & Pins .....	6.0	.624
Bushing: Max. Bore to .....	.810	.008
Min. Bore.....	1.685	.011

Drawing I-25596

### SF-1000 Bearing Mounted Normal Duty



Item	Description	Part Number	Qty.
1	Armature	5302-111-013	1
2	Autogap Accessory	5201-101-008	3
3	Bushing*		1
	1/2" to 2" Bore	180-0155 to 180-0179	
4	Field & Rotor Assembly		1
	6 Volt	5202-452-012	
	24 Volt	5202-452-014	
	90 Volt	5202-452-015	
4-1	Rotor		1
	Standard Friction Material	5202-751-003	
	†Optional LK Facing	5202-751-007	
4-3	Field & Bearing Assembly		1
	6 Volt	5202-451-040	
	24 Volt	5202-451-042	
	90 Volt	5202-451-043	
4-4	Retainer Ring	748-0116	1
4-5	Ball Bearing	166-1046	1
4-6	Retainer Ring	748-0582	1
4-7	Rotor Hub	540-1300	1

Item	Description	Part Number	Qty.
4-8	Buttonhead Capscrew	797-1261	6
4-9	Ring Adapter	748-1047	1
4-10	Lockwasher	950-0359	6
4-11	Socket Head Capscrew	797-0424	6
5	Conduit Box	5200-101-012	1

Shaft Size	Keyway Size	Bushing
		Warner Electric
1/2	1/8 x 1/16	180-0155
9/16	1/8 x 1/16	180-0156
5/8	3/16 x 3/32	180-0157
11/16	3/16 x 3/32	180-0158
3/4	3/16 x 3/32	180-0159
13/16	3/16 x 3/32	180-0160
7/8	3/16 x 3/32	180-0161
15/16	1/4 x 1/8	180-0162
1	1/4 x 1/8	180-0163
1 1/16	1/4 x 1/8	180-0164
1 1/8	1/4 x 1/8	180-0165
1 3/16	1/4 x 1/8	180-0166
1 1/4	1/4 x 1/8	180-0167
1 5/16	5/16 x 5/32	180-0168
1 3/8	5/16 x 5/32	180-0169
1 7/16	3/8 x 3/16	180-0170
1 1/2	3/8 x 3/16	180-0171
1 9/16	3/8 x 3/16	180-0172
1 5/8	3/8 x 3/16	180-0173
1 11/16	3/8 x 3/16	180-0174
1 3/4	3/8 x 3/16	180-0175
1 13/16	1/2 x 1/4	180-0176
1 7/8	1/2 x 1/4	180-0177
1 15/16	1/2 x 1/4	180-0178
2	1/2 x 1/4	180-0179

