

## Series SF Clutch

### SF-1000 Flange Mounted Normal Duty

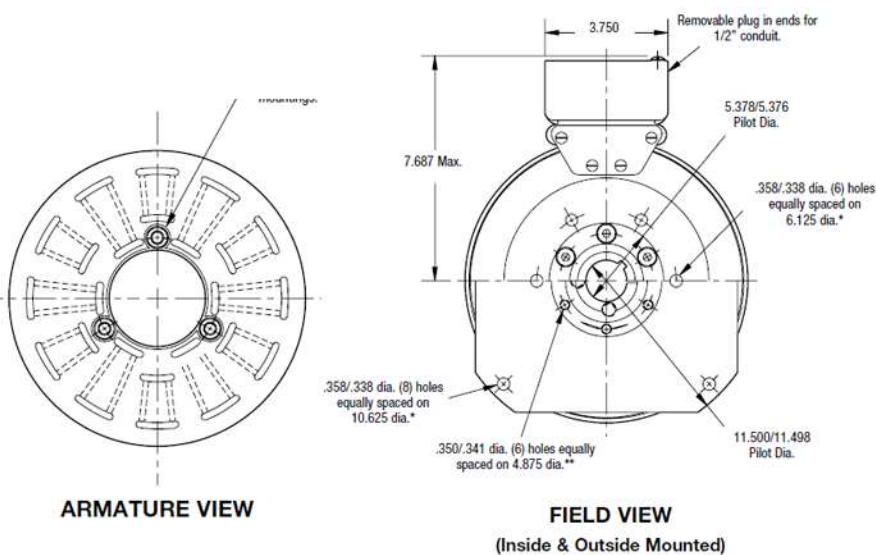
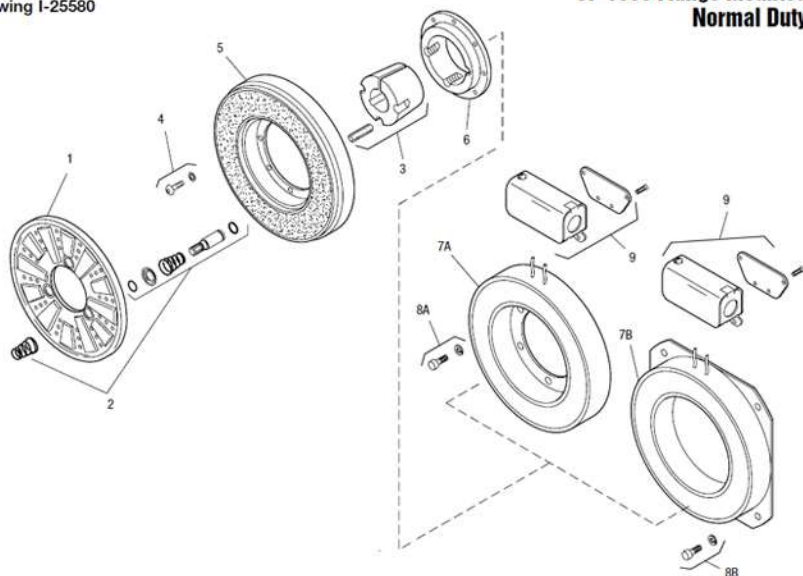


Unit Size	SF-1000, F.M.	
	Wt. (lbs.)	Inertia (lbs.ft. <sup>2</sup> )
Field & Rotor Assembly .....		
Field.....	11.125	.....
Rotor.....	7.880	.894
Rotor Hub .....	1.089	.027
Armature & Pins .....	6.0	.624
Bushing: Max. Bore to .....	.810	.088
Min. Bore.....	1.685	.011

Item	Description	Part Number	Qty.
1	Armature	5302-111-013	1
2	Autogap Accessory	5201-101-008	3
3	Bushing*		1
	1/2" to 2" Bore	180-0155 to 180-0179	
4	Mounting Accessory	5201-101-007	1
5	Rotor		1
	Standard Friction Material	5202-751-003	
	†Optional LK Facing	5202-751-007	
6	Rotor Hub	540-0315	1
7A	Field - Inside Mounted		1
	6 Volt	5202-451-004	
	24 Volt	5202-451-006	
	90 Volt	5202-451-007	
7B	Field - Outside Mounted		1
	6 Volt	5202-451-011	
	24 Volt	5202-451-013	
	90 Volt	5202-451-014	
8A	Mounting Accessory - I.M.	5321-101-001	1
8B	Mounting Accessory - O.M.	5321-101-002	2
9	Conduit Box	5200-101-012	1

Drawing I-25580

### SF-1000 Flange Mounted Normal Duty



Shaft Size	Keyway Size	Bushing I
		Warner Electric
1/2	1/8 x 1/16	180-0155
9/16	1/8 x 1/16	180-0156
5/8	3/16 x 3/32	180-0157
11/16	3/16 x 3/32	180-0158
3/4	3/16 x 3/32	180-0159
13/16	3/16 x 3/32	180-0160
7/8	3/16 x 3/32	180-0161
15/16	1/4 x 1/8	180-0162
1	1/4 x 1/8	180-0163
1 1/16	1/4 x 1/8	180-0164
1 1/8	1/4 x 1/8	180-0165
1 3/16	1/4 x 1/8	180-0166
1 1/4	1/4 x 1/8	180-0167
1 5/16	5/16 x 5/32	180-0168
1 3/8	5/16 x 5/32	180-0169
1 7/16	3/8 x 3/16	180-0170
1 1/2	3/8 x 3/16	180-0171
1 9/16	3/8 x 3/16	180-0172
1 5/8	3/8 x 3/16	180-0173
1 11/16	3/8 x 3/16	180-0174
1 3/4	3/8 x 3/16	180-0175
1 13/16	1/2 x 1/4	180-0176
1 7/8	1/2 x 1/4	180-0177
1 15/16	1/2 x 1/4	180-0178
2	1/2 x 1/4	180-0179