

SF Series Clutch

SF-120 Bearing Mounted

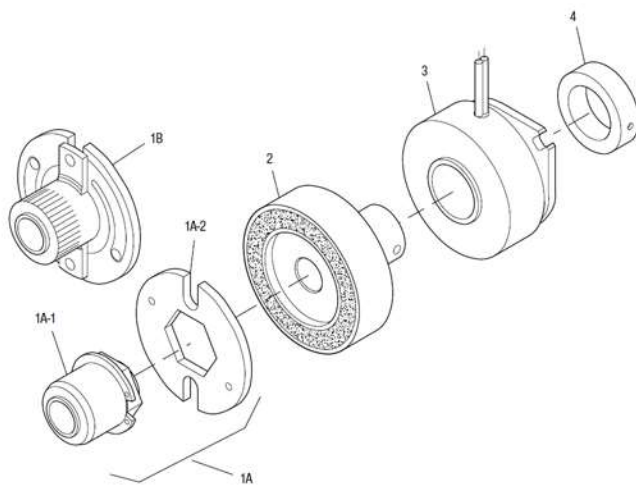


Unit Size	SF-120, B.M.	
	Wt. (lbs.)	Inertia (lbs.in. ²)
Field & Rotor Assembly113	.00831
Field.....	.053
Rotor049	.00717
Set Collar.....	.011	.00114
Armature018	.00378
Armature Hub.....	.020	.00413
Antibacklash Armature00467

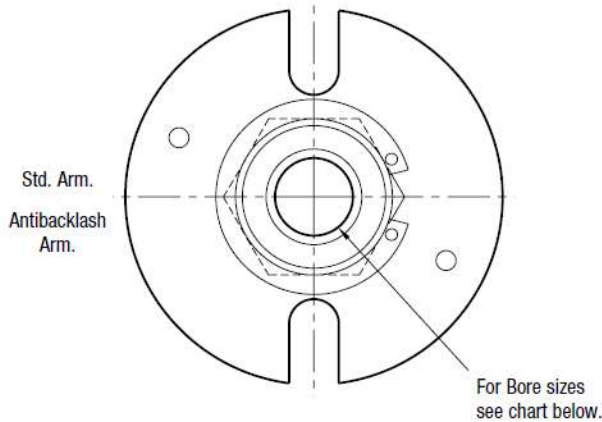
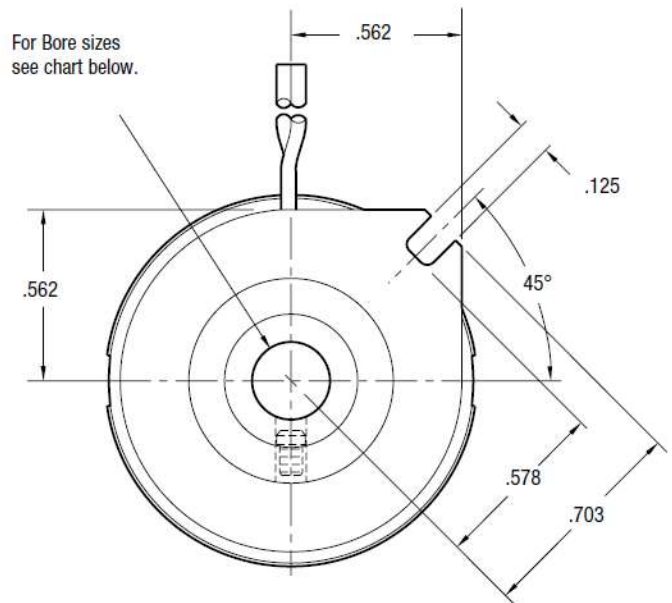
Item	Description	Part Number	Qty.
1A	Armature and Hub		
1A-1	Armature Hub		1
	3/16" Bore	5602-541-009	
	1/4" Bore	5602-541-008	
1A-2	Armature	110-0110	1
1B	Antibacklash Armature		1
	3/16" Bore	5602-111-002	
	1/4" Bore	5602-111-003	
	5/16" Bore	5602-111-007	
2	Rotor		1
	3/16" Bore	5602-751-008	
	1/4" Bore	5602-751-006	
	5/16" Bore	5602-751-007	
3	Field		1
	6 Volt	5602-451-021	
	24 Volt	5602-451-023	
	90 Volt	5602-451-025	
4	Set Collar	5602-266-001	1

SF-120 Bearing Mounted

Drawing I-25509



Part
matedP1



ARMATURE VIEW

FIELD VIEW