

SF Series Clutch

SF-120 Flange Mounted

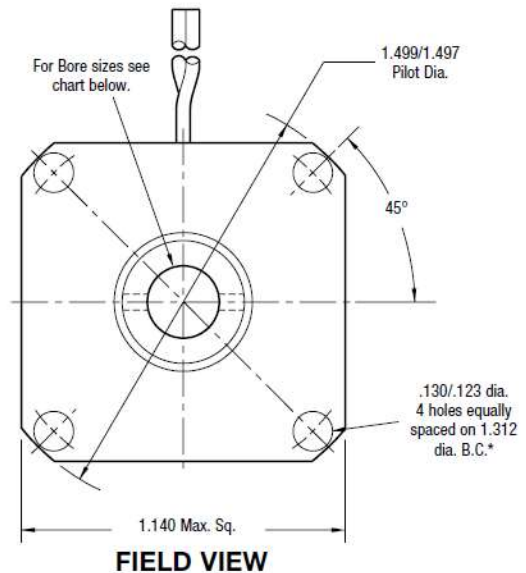
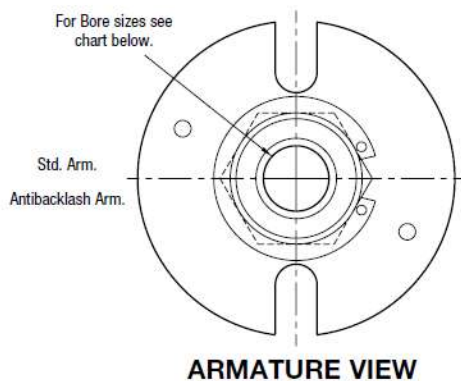
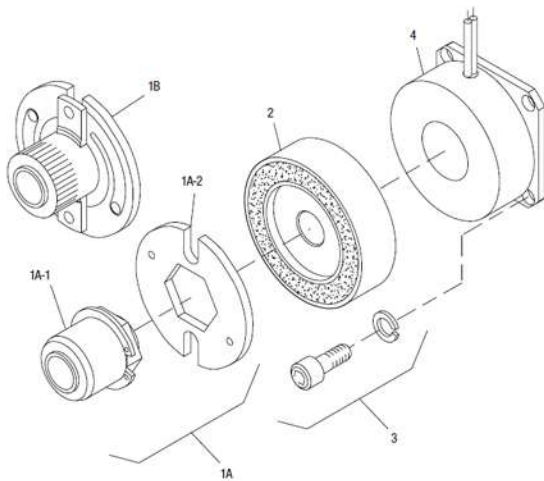


Unit Size	SF-120, F.M.	
	Wt. (lbs.)	Inertia (lbs.in. ²)
Field060
Rotor049	.00717
Armature018	.00378
Armature Hub.....	.020	.00413
Antibacklash Armature00467

Item	Description	Part Number	Qty.
1A	Armature and Hub		
1A-1	Armature Hub		1
	3/16" Bore	5602-541-009	
	1/4" Bore	5602-541-008	
1A-2	Armature	110-0110	1
1B	Antibacklash Armature		1
	3/16" Bore	5602-111-002	
	1/4" Bore	5602-111-003	
	5/16" Bore	5602-111-007	
2	Rotor		1
	3/16" Bore	5602-751-004	
	1/4" Bore	5602-751-002	
	5/16" Bore	5602-751-003	
3	Mounting Accessory	5101-101-001	1
4	Field		1
	6 Volt	5602-451-003	
	24 Volt	5602-451-005	
	90 Volt	5602-451-007	

Drawing I-25508

SF-120 Flange Mounted



Parts
AutomatedPT