

SF Series Clutch

SF-1225 Bearing Mounted Heavy Duty

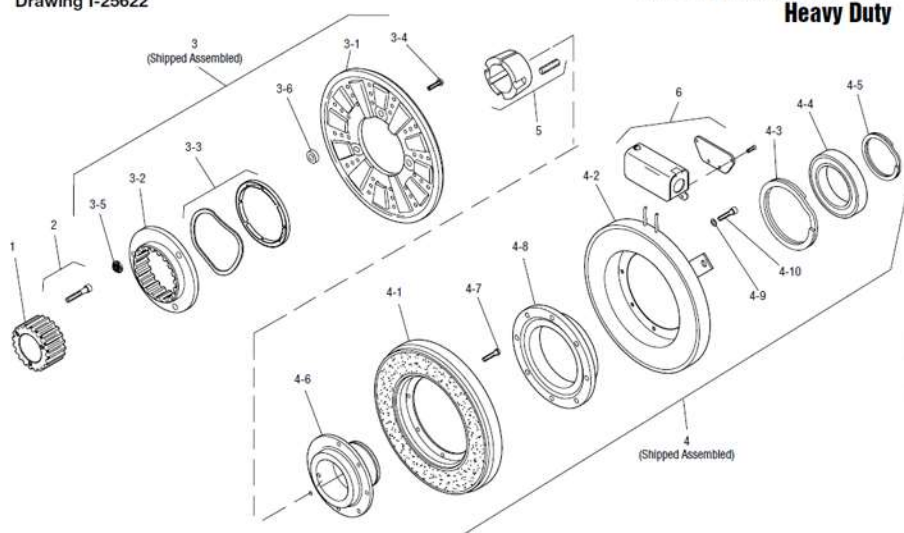


Unit Size	SF-1225, B.M.	
	Wt. (lbs.)	Inertia (lbs.ft. ²)
Field & Rotor Assembly	49.455	2.75
Field.....	21.250
Field Hub & Brg.....	5.800
Rotor	14.005	2.421
Rotor Hub.....	8.400	.330
Armature & Pins	10.84	1.7
Bushing: Max. Bore to	1.553	.022
Min. Bore.....	3.575	0.31

Item	Description	Part Number	Qty.
1	Splined Hub	540-0148	1
2	Accessory Mounting	5202-101-001	3
3	Armature & Adapter Assembly	5203-111-001	1
3-1	Armature	5323-111-034	1
3-2	Splined Adapter	104-0010	1
3-3	Autogap Accessory	5323-101-002	1
3-4	Screw	797-0356	4
3-5	Locknut	661-0005	4
3-6	Spacer	266-0004	4
4	Field & Rotor Assembly		1
	6 Volt	5203-452-009	
	24 Volt	5203-452-011	
	90 Volt	5203-452-012	1

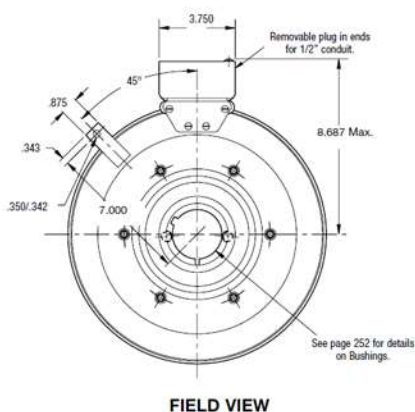
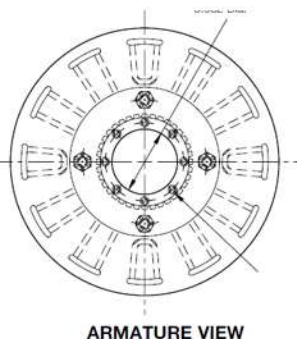
Drawing I-25622

SF-1225 Bearing Mounted Heavy Duty



4-1	Rotor		1
	Standard Friction Material	5203-751-001	
	†Optional LK Facing	5203-751-004	
4-2	Field		1
	6 Volt	5203-451-034	
	24 Volt	5203-451-036	
	90 Volt	5203-451-037	
4-3	Retainer Ring	748-0119	1
4-4	Ball Bearing	166-1047	1

Item	Description	Part Number	Qty.
4-5	Retainer Ring	748-0011	1
4-6	Rotor Hub	540-1304	1
4-7	Buttonhead Screw	797-1261	8
4-8	Ring Adapter	748-0591	1
4-9	Lockwasher	950-0359	6
4-10	Sockethead Screw	797-0424	6
5	Bushing*	180-0185 to 180-0217	1
6	Conduit Box	5200-101-012	1



Shaft Size	Keyway Size	Bushing Warner Electric
1/2	1/8 x 1/16	180-0185
9/16	1/8 x 1/16	180-0186
5/8	3/16 x 3/32	180-0187
11/16	3/16 x 3/32	180-0188
3/4	3/16 x 3/32	180-0189
13/16	3/16 x 3/32	180-0190
7/8	3/16 x 3/32	180-0191
15/16	1/4 x 1/8	180-0192
1	1/4 x 1/8	180-0193
1 1/16	1/4 x 1/8	180-0194
1 1/8	1/4 x 1/8	180-0195
1 3/16	1/4 x 1/8	180-0196
1 1/4	1/4 x 1/8	180-0197
1 5/16	5/16 x 5/32	180-0198
1 3/8	5/16 x 5/32	180-0199
1 7/16	3/8 x 3/16	180-0200
1 1/2	3/8 x 3/16	180-0201
1 9/16	3/8 x 3/16	180-0202
1 5/8	3/8 x 3/16	180-0203
1 11/16	3/8 x 3/16	180-0204

1 3/4	5/8 x 3/16	180-0205
1 13/16	1/2 x 1/4	180-0206
1 7/8	1/2 x 1/4	180-0207
1 15/16	1/2 x 1/4	180-0208
2	1/2 x 1/4	180-0209
2 1/16	1/2 x 1/4	180-0210
2 1/8	1/2 x 1/4	180-0211
2 3/16	1/2 x 1/4	180-0212
2 1/4	1/2 x 1/4	180-0213
2 5/16	5/8 x 5/16	180-0214
2 3/8	5/8 x 5/16	180-0215
2 7/16	5/8 x 5/16	180-0216
2 1/2	5/8 x 5/16	180-0217