

## SF Series Clutch

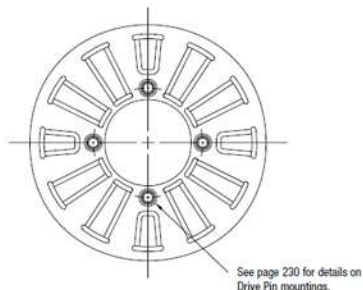
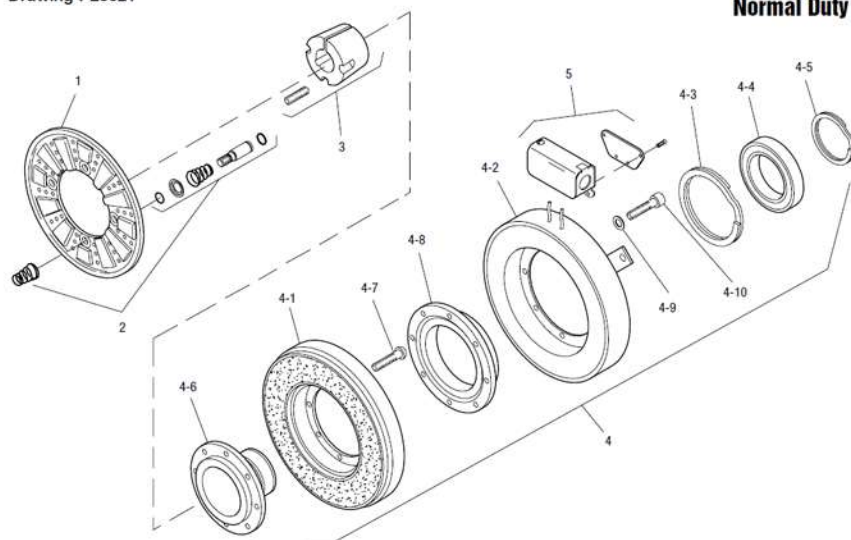
### SF-1225 Bearing Mounted Normal Duty



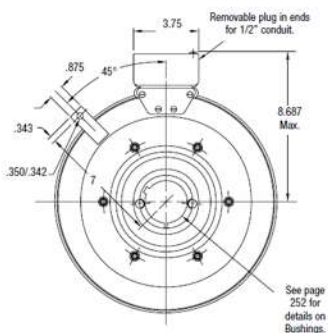
| Unit Size                    | SF-1225, B.M. |                                 |
|------------------------------|---------------|---------------------------------|
|                              | Wt. (lbs.)    | Inertia (lbs.ft. <sup>2</sup> ) |
| Field & Rotor Assembly ..... | 49.455        | 2.75                            |
| Field.....                   | 21.250        | .....                           |
| Field Hub & Brg.....         | 5.800         | .....                           |
| Rotor .....                  | 14.005        | 2.421                           |
| Rotor Hub.....               | 8.400         | .330                            |
| Armature & Pins .....        | 10.84         | 1.7                             |
| Bushing: Max. Bore to .....  | 1.553         | .022                            |
| Min. Bore.....               | 3.575         | 0.31                            |

Drawing I-25621

### SF-1225 Bearing Mounted Normal Duty



ARMATURE VIEW



FIELD VIEW

| Item | Description                | Part Number          | Qty. |
|------|----------------------------|----------------------|------|
| 1    | Armature                   | 5303-111-009         | 1    |
| 2    | Autogap Accessory          | 5201-101-008         | 4    |
| 3    | Bushing*                   | 180-0185 to 180-0217 | 1    |
| 4    | Field and Rotor Assembly   |                      | 1    |
|      | 6 Volt                     | 5203-452-009         |      |
|      | 24 Volt                    | 5203-452-011         |      |
|      | 90 Volt                    | 5203-452-012         |      |
| 4-1  | Rotor                      |                      | 1    |
|      | Standard Friction Material | 5203-751-001         |      |
|      | †Optional LK Facing        | 5203-751-004         |      |
| 4-2  | Field                      |                      | 1    |
|      | 6 Volt                     | 5203-451-034         |      |
|      | 24 Volt                    | 5203-451-036         |      |
|      | 90 Volt                    | 5203-451-037         |      |
| 4-3  | Retainer Ring              | 748-0119             | 1    |
| 4-4  | Ball Bearing               | 166-1047             | 1    |
| 4-5  | Retainer Ring              | 748-0011             | 1    |
| 4-6  | Rotor Hub                  | 540-1304             | 1    |

| Item | Description         | Part Number  | Qty. |
|------|---------------------|--------------|------|
| 4-7  | Buttonhead Capscrew | 797-1261     | 8    |
| 4-8  | Ring Adapter        | 748-0591     | 1    |
| 4-9  | Lockwasher          | 950-0359     | 6    |
| 4-10 | Sockethead Capscrew | 797-0424     | 6    |
| 5    | Conduit Box         | 5200-101-012 | 1    |

| Shaft Size | Keyway Size | Bushing         |
|------------|-------------|-----------------|
|            |             | Warner Electric |
| 1/2        | 1/8 x 1/16  | 180-0185        |
| 9/16       | 1/8 x 1/16  | 180-0186        |
| 5/8        | 3/16 x 3/32 | 180-0187        |
| 11/16      | 3/16 x 3/32 | 180-0188        |
| 3/4        | 3/16 x 3/32 | 180-0189        |
| 13/16      | 3/16 x 3/32 | 180-0190        |
| 7/8        | 3/16 x 3/32 | 180-0191        |
| 15/16      | 1/4 x 1/8   | 180-0192        |
| 1          | 1/4 x 1/8   | 180-0193        |
| 1 1/16     | 1/4 x 1/8   | 180-0194        |
| 1 1/8      | 1/4 x 1/8   | 180-0195        |
| 1 3/16     | 1/4 x 1/8   | 180-0196        |
| 1 1/4      | 1/4 x 1/8   | 180-0197        |
| 1 5/16     | 5/16 x 5/32 | 180-0198        |
| 1 3/8      | 5/16 x 5/32 | 180-0199        |
| 1 7/16     | 3/8 x 3/16  | 180-0200        |
| 1 1/2      | 3/8 x 3/16  | 180-0201        |
| 1 9/16     | 3/8 x 3/16  | 180-0202        |
| 1 5/8      | 3/8 x 3/16  | 180-0203        |
| 1 11/16    | 3/8 x 3/16  | 180-0204        |
| 1 3/4      | 3/8 x 3/16  | 180-0205        |
| 1 13/16    | 1/2 x 1/4   | 180-0206        |
| 1 7/8      | 1/2 x 1/4   | 180-0207        |
| 1 15/16    | 1/2 x 1/4   | 180-0208        |
| 2          | 1/2 x 1/4   | 180-0209        |
| 2 1/16     | 1/2 x 1/4   | 180-0210        |
| 2 1/8      | 1/2 x 1/4   | 180-0211        |
| 2 3/16     | 1/2 x 1/4   | 180-0212        |
| 2 1/4      | 1/2 x 1/4   | 180-0213        |
| 2 5/16     | 5/8 x 5/16  | 180-0214        |
| 2 3/8      | 5/8 x 5/16  | 180-0215        |
| 2 7/16     | 5/8 x 5/16  | 180-0216        |
| 2 1/2      | 5/8 x 5/16  | 180-0217        |