

SF Series Clutch

SF-1225 Flange Mounted Heavy Duty



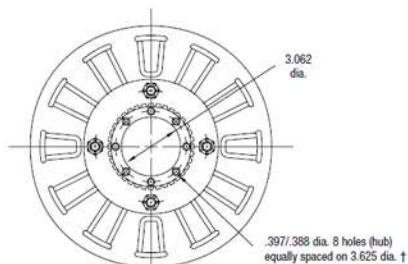
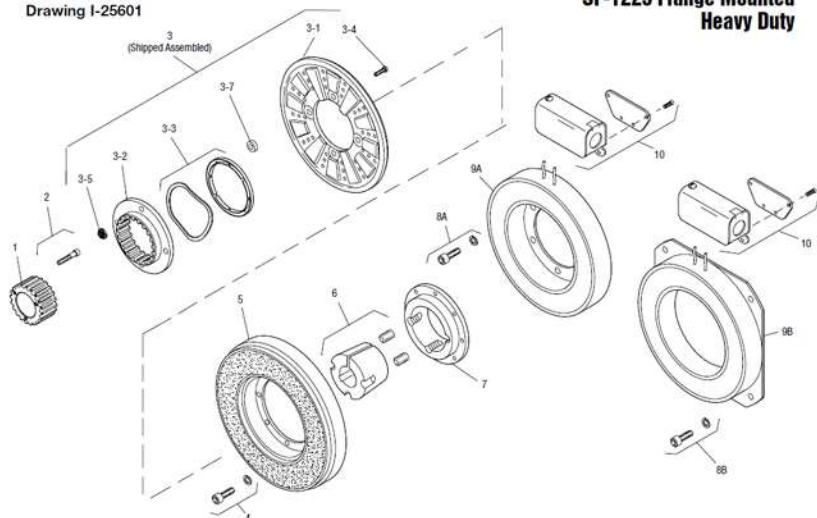
Unit Size	SF-1225, F.M.	
	Wt. (lbs.)	Inertia (lbs.ft. ²)
Field	21.250
Rotor	14.005	2.421
Rotor Hub	2.181	.081
Bushing: Max. Bore to	1.553	.022
Unit Size.....	3.575	.031
Armature & Splined Adapter..
Armature & Pins	10.84	1.7
Splined Hub

Item	Description	Part Number	Qty.
1	Splined Hub	540-0148	1
2	Mounting Accessory	5202-101-001	3
3	Armature and Splined Adapter	5203-111-001	1
3-1	Armature	5323-111-034	1
3-2	Splined Adapter	104-0010	1
3-3	Autogap Accessory	5323-101-002	1
3-4	Screw	797-0356	4
3-5	Locknut	661-0005	4
3-7	Spacer	266-0004	4
4	Mounting Accessory	5321-101-002	2
5	Rotor		1
	Standard Friction Material	5203-751-001	
	†Optional LK Facing	5203-751-004	
6	Bushing, Taperlock*	180-0185 to 180-0217	1
7	Rotor Hub	540-0318	1
8A	Mounting Accessory, I.M.	5321-101-001	1
8B	Mounting Accessory, O.M.	5321-101-002	2
9A	Field, Inside Mtd.		1
	6 Volt	5203-451-002	
	24 Volt	5203-451-006	
	90 Volt	5203-451-005	

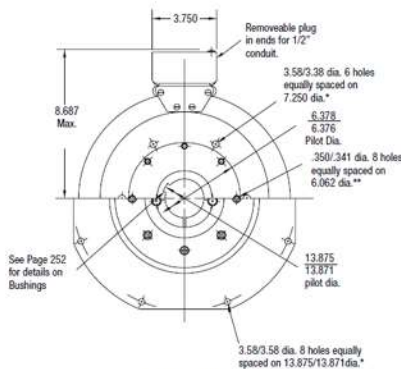
Item	Description	Part Number	Qty.
9B	Field, Outside Mtd.		1
	6 Volts	5203-451-010	
	24 Volts	5203-451-013	
	90 Volts	5203-451-011	
10	Conduit Box	5200-101-012	1

Drawing I-25601

SF-1225 Flange Mounted Heavy Duty



ARMATURE VIEW



FIELD VIEW (Inside & Outside Mounted)

Shaft Size	Keyway Size	Bushing
		Warner Electric
1/2	1/8 X 1/16	180-0185
9/16	1/8 X 1/16	180-0186
5/8	3/16 X 3/32	180-0187
11/16	3/16 X 3/32	180-0188
3/4	3/16 X 3/32	180-0189
13/16	3/16 X 3/32	180-0190
7/8	3/16 X 3/32	180-0191
15/16	1/4 X 1/8	180-0192
1	1/4 X 1/8	180-0193
1 1/16	1/4 X 1/8	180-0194
1 1/8	1/4 X 1/8	180-0195
1 3/16	1/4 X 1/8	180-0196
1 1/4	1/4 X 1/8	180-0197
1 5/16	5/16 X 5/32	180-0198
1 3/8	5/16 X 5/32	180-0199
1 7/16	3/8 X 3/16	180-0200
1 1/2	3/8 X 3/16	180-0201
1 9/16	3/8 X 3/16	180-0202
1 5/8	3/8 X 3/16	180-0203
1 11/16	3/8 X 3/16	180-0204
1 3/4	3/8 X 3/16	180-0205
1 13/16	1/2 X 1/4	180-0206
1 7/8	1/2 X 1/4	180-0207
1 15/16	1/2 X 1/4	180-0208
2	1/2 X 1/4	180-0209
2 1/16	1/2 X 1/4	180-0210
2 1/8	1/2 X 1/4	180-0211
2 3/16	1/2 X 1/4	180-0212
2 1/4	1/2 X 1/4	180-0213
2 5/16	5/8 X 5/16	180-0214
2 3/8	5/8 X 5/16	180-0215
2 7/16	5/8 X 5/16	180-0216
2 1/2	5/8 X 5/16	180-0217