

SF Series Clutch

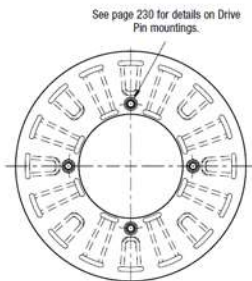
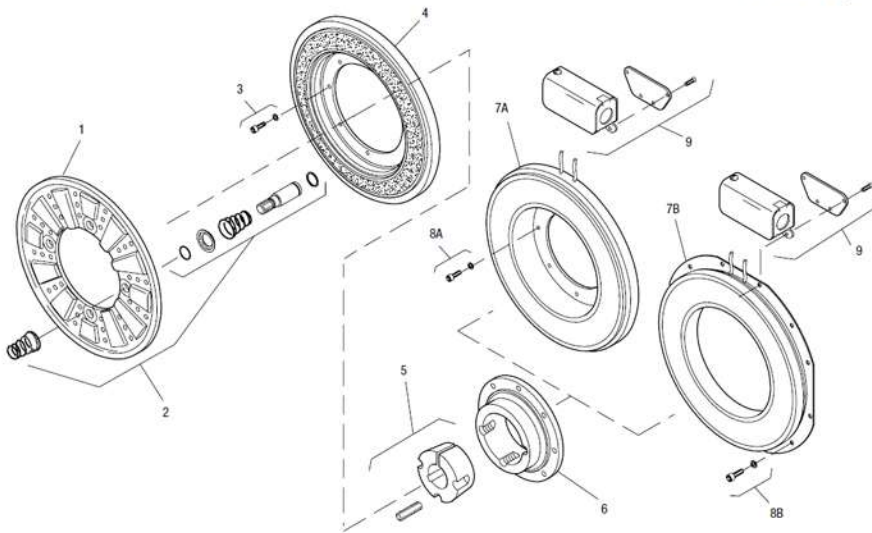
SF-1225 Flange Mounted Normal Duty



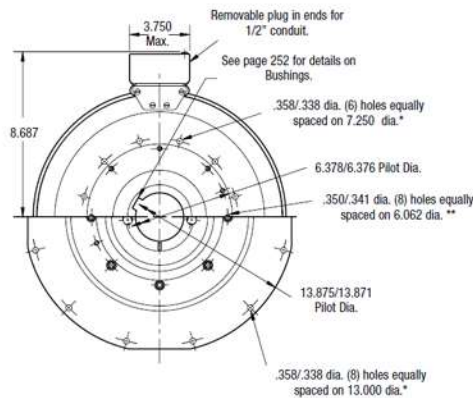
Unit Size	SF-1000, B.M.	
	Wt. (lbs.)	Inertia (lbs.ft. ²)
Field & Rotor Assembly	26.905	1.004
Field.....	11.125
Field Hub & Brg.....	3.400
Rotor	7.880	.894
Rotor Hub.....	4.500	.110
Armature & Pins.....	6.0	.624
Bushing: Max. Bore to810	.008
Min. Bore.....	1.685	.011

Drawing I-25600

SF-1225 Flange Mounted Normal Duty



ARMATURE VIEW



FIELD VIEW
(Inside & Outside Mounted)

Item	Description	Part Number	Qty.
1	Armature	5303-111-009	1
2	Autgap Accessory	5201-101-008	4
3	Mounting Accessory	5321-101-002	2
4	Rotor		1
	Standard Friction Material	5203-751-001	
	†Optional LK Facing	5203-751-004	
5	Bushing*		1
	1/2" to 2-1/2" Bore	180-0185 to 180-0217	
6	Rotor Hub	540-0318	1
7A	Field - Inside Mounted		1
	6 Volt	5203-451-002	
	24 Volt	5203-451-006	
	90 Volt	5203-451-005	
7B	Field - Outside Mounted		1
	6 Volt	5203-451-010	
	24 Volt	5203-451-013	
	90 Volt	5203-451-011	

Item	Description	Part Number	Qty.
8A	Mounting Accessory - I.M.	5321-101-001	1
8B	Mounting Accessory - O.M.	5321-101-002	2
9	Conduit Box	5200-101-012	1

Shaft Size	Keyway Size	Bushing
		Warner Electric
1/2	1/8 x 1/16	180-0185
9/16	1/8 x 1/16	180-0186
5/8	3/16 x 3/32	180-0187
11/16	3/16 x 3/32	180-0188
3/4	3/16 x 3/32	180-0189
13/16	3/16 x 3/32	180-0190
7/8	3/16 x 3/32	180-0191
15/16	1/4 x 1/8	180-0192
1	1/4 x 1/8	180-0193
1 1/16	1/4 x 1/8	180-0194
1 1/8	1/4 x 1/8	180-0195
1 3/16	1/4 x 1/8	180-0196
1 1/4	1/4 x 1/8	180-0197
1 5/16	5/16 x 5/32	180-0198
1 3/8	5/16 x 5/32	180-0199
1 7/16	3/8 x 3/16	180-0200
1 1/2	3/8 x 3/16	180-0201
1 9/16	3/8 x 3/16	180-0202
1 5/8	3/8 x 3/16	180-0203
1 11/16	3/8 x 3/16	180-0204
1 3/4	3/8 x 3/16	180-0205
1 13/16	1/2 x 1/4	180-0206
1 7/8	1/2 x 1/4	180-0207
1 15/16	1/2 x 1/4	180-0208
2	1/2 x 1/4	180-0209
2 1/16	1/2 x 1/4	180-0210
2 1/8	1/2 x 1/4	180-0211
2 3/16	1/2 x 1/4	180-0212
2 1/4	1/2 x 1/4	180-0213
2 5/16	5/8 x 5/16	180-0214
2 3/8	5/8 x 5/16	180-0215
2 7/16	5/8 x 5/16	180-0216
2 1/2	5/8 x 5/16	180-0217