

SF Series Clutch

SF-1525 Bearing Mounted Normal Duty



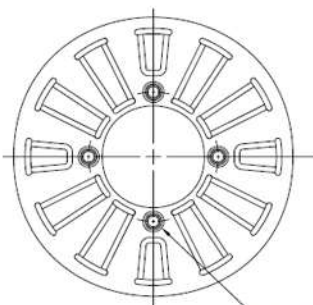
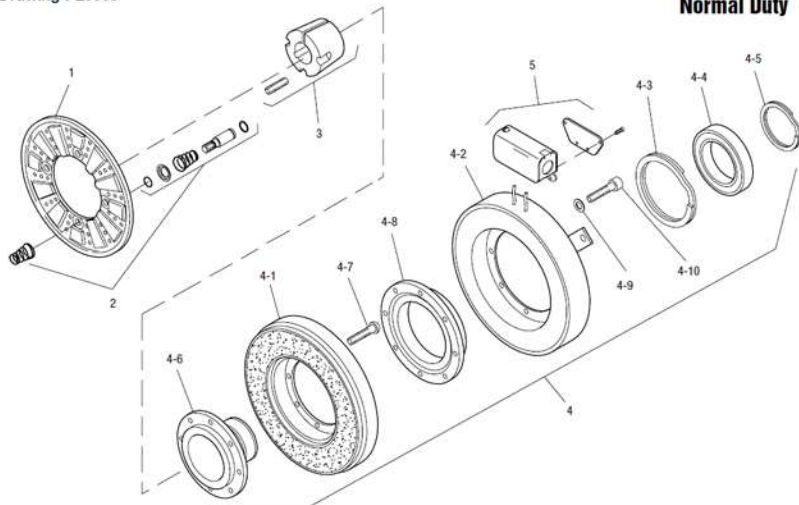
Unit Size	SF-1525, B.M.	
	Wt. (lbs.)	Inertia (lbs.ft. ²)
Field & Rotor Assembly	73.316	5.989
Field.....	30.750
Field Hub & Brg.	12.200
Rotor	18.266	5.139
Rotor Hub.....	12.100	.850
Armature & Pins	15.362	3.962
Bushing: Max. Bore to	3.234	.071
Min. Bore.....	6.345	.099

Item	Description	Part Number	Qty.
1	Armature	5304-111-004	1
2	Autogap Accessory	5201-101-008	4
3	Bushing*		1
	15/16" to 3" Bore	180-0223 to 180-0256	
4	Field and Rotor Assembly		1
	6 Volt	5204-452-009	
	24 Volt	5204-452-011	
	90 Volt	5204-452-012	
4-1	Rotor		1
	Standard Friction Material	5204-751-002	
	†Optional LK Facing	5204-751-004	
4-2	Field		1
	6 Volt	5204-451-084	
	24 Volt	5204-451-086	
	90 Volt	5204-451-087	
4-3	Retainer Ring	748-0114	1
4-4	Ball Bearing	166-0163	1
4-5	Retainer Ring	748-0583	1
4-6	Rotor Hub	540-1306	1

Item	Description	Part Number	Qty.
4-7	Buttonhead Capscrew	797-1261	8
4-8	Ring Adapter	748-1048	1
4-9	Lockwasher	950-0359	6
4-10	Sockethead Capscrew	797-0424	6
5	Conduit Box	5200-101-012	1

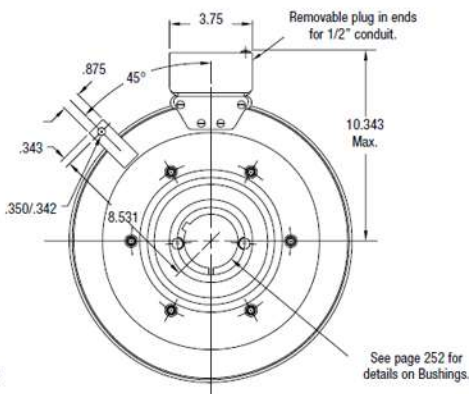
Drawing I-25639

SF-1525 Bearing Mounted Normal Duty



See page 230 for details (Drive Pin mountings.

ARMATURE VIEW



See page 252 for details on Bushings.

FIELD VIEW

Shaft Size	Keyway Size	Bushing Warner Electric	Bushing		
			1 1/16	3/8 x 3/16	180-0235
			1 3/4	3/8 x 3/16	180-0236
			1 13/16	1/2 x 1/4	180-0237
15/16	1/4 x 1/8	180-0223	1 7/8	1/2 x 1/4	180-0238
1	1/4 x 1/8	180-0224	1 15/16	1/2 x 1/4	180-0239
1 1/16	1/4 x 1/8	180-0225	2	1/2 x 1/4	180-0240
1 1/8	1/4 x 1/8	180-0226	2 1/16	1/2 x 1/4	180-0241
1 3/16	1/4 x 1/8	180-0227	2 1/8	1/2 x 1/4	180-0242
1 1/4	1/4 x 1/8	180-0228	2 3/16	1/2 x 1/4	180-0243
1 5/16	5/16 x 5/32	180-0229	2 1/4	1/2 x 1/4	180-0244
1 3/8	5/16 x 5/32	180-0230	2 5/16	5/8 x 5/16	180-0245
1 7/16	3/8 x 3/16	180-0231	2 3/8	5/8 x 5/16	180-0246
1 1/2	3/8 x 3/16	180-0232	2 7/16	5/8 x 5/16	180-0247
1 9/16	3/8 x 3/16	180-0233	2 1/2	5/8 x 5/16	180-0248
1 5/8	3/8 x 3/16	180-0234	2 9/16	5/8 x 5/16	180-0249
			2 5/8	5/8 x 5/16	180-0250
			2 11/16	5/8 x 5/16	180-0251
			2 3/4	5/8 x 5/16	180-0252
			2 13/16	3/4 x 3/8	180-0253
			2 7/8	3/4 x 3/8	180-0254
			2 15/16	3/4 x 3/8	180-0255
			3	3/4 x 3/8	180-0256