

SF Series Clutch

SF-1525 Flange Mounted Normal Duty

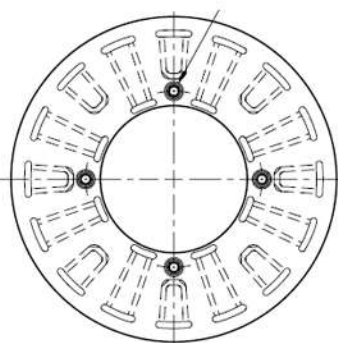
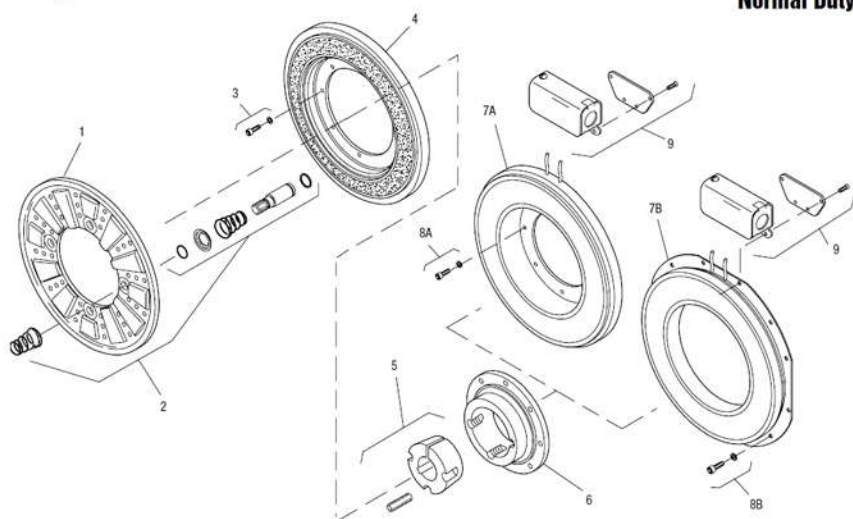


Unit Size	SF-1525, F.M.	
	Wt. (lbs.)	Inertia (lbs.ft. ²)
Field	30.750
Rotor	18.266	5.139
Rotor Hub	4.963	.323
Bushing: Max. Bore to Unit Size.....	3.234	.071
.....	6.345	.099
Armature & Splined Ada
Armature & Pins	15.362	3.962
Splined Hub

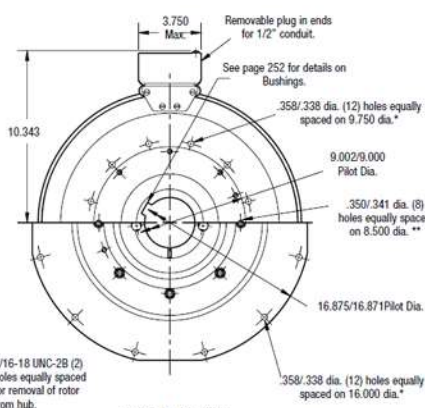
Item	Description	Part Number	Qty.
1	Armature	5304-111-004	1
2	Autogap Accessory	5201-101-008	4
3	Mounting Accessory	5321-101-002	2
4	Rotor		1
	Standard Friction Material	5204-751-002	
	†Optional LK Facing	5204-751-004	
5	Bushing*		1
	15/16" to 3" Bore	180-0223 to 180-0256	
6	Rotor Hub	540-0004	1
7A	Field - Inside Mounted		1
	6 Volt	5204-451-013	
	24 Volt	5204-451-015	
	90 Volt	5204-451-016	
7B	Field - Outside Mounted		1
	6 Volt	5204-451-055	
	24 Volt	5204-451-056	
	90 Volt	5204-451-057	
8A	Mounting Accessory - I.M.	5321-101-001	2
Item	Description	Part Number	Qty.
8B	Mounting Accessory - O.M.	5321-101-001	2
9	Conduit Box	5200-101-012	1

Drawing I-25625

SF-1525 Flange Mounted Normal Duty



ARMATURE VIEW



FIELD VIEW
(Inside & Outside Mounted)

Shaft Size	Keyway Size	Bushing Warner Electric	Parts		
			Shaft Size	Keyway Size	Bushing Warner Electric
11/16	1/4 x 1/8	180-0223	11 1/16	3/8 x 3/16	180-0235
1	1/4 x 1/8	180-0224	1 3/4	3/8 x 3/16	180-0236
1 1/16	1/4 x 1/8	180-0225	1 13/16	1/2 x 1/4	180-0237
1 1/8	1/4 x 1/8	180-0226	1 7/8	1/2 x 1/4	180-0238
1 3/16	1/4 x 1/8	180-0227	1 15/16	1/2 x 1/4	180-0239
1 1/4	1/4 x 1/8	180-0228	2	1/2 x 1/4	180-0240
1 5/16	5/16 x 5/32	180-0229	2 1/16	1/2 x 1/4	180-0241
1 3/8	5/16 x 5/32	180-0230	2 1/8	1/2 x 1/4	180-0242
1 7/16	3/8 x 3/16	180-0231	2 3/16	1/2 x 1/4	180-0243
1 1/2	3/8 x 3/16	180-0232	2 1/4	1/2 x 1/4	180-0244
1 9/16	3/8 x 3/16	180-0233	2 5/16	5/8 x 5/16	180-0245
1 5/8	3/8 x 3/16	180-0234	2 3/8	5/8 x 5/16	180-0246
			2 7/16	5/8 x 5/16	180-0247
			2 1/2	5/8 x 5/16	180-0248
			2 9/16	5/8 x 5/16	180-0249
			2 5/8	5/8 x 5/16	180-0250
			2 11/16	5/8 x 5/16	180-0251
			2 3/4	5/8 x 5/16	180-0252
			2 13/16	3/4 x 3/8	180-0253
			2 7/8	3/4 x 3/8	180-0254
			2 15/16	3/4 x 3/8	180-0255
			3	3/4 x 3/8	180-0256

5/16-18 UNC-2B (2) holes equally spaced for removal of rotor from hub.