

SF Series Clutch

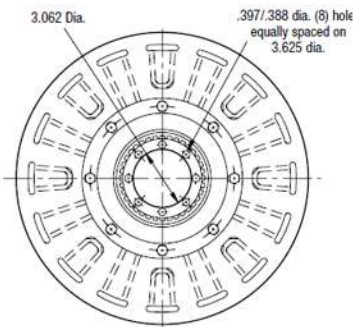
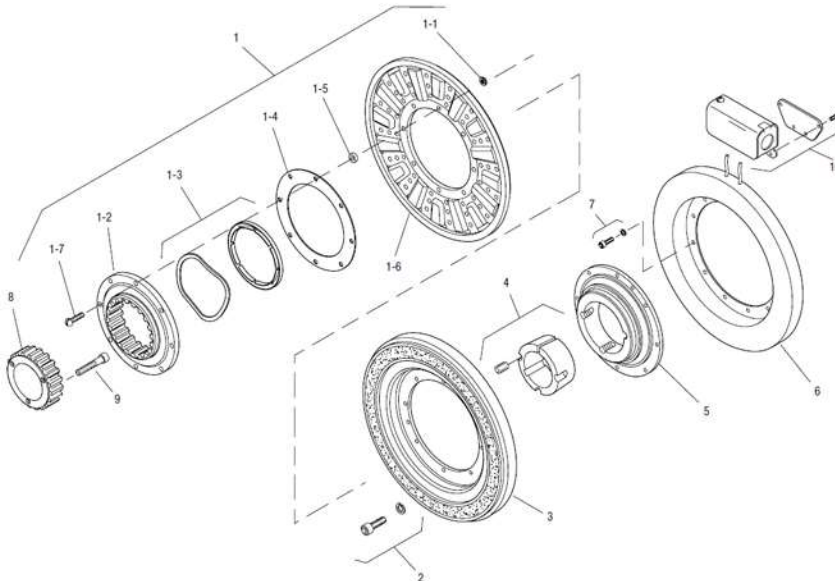
SF-1525 HT Flange Mounted High Torque



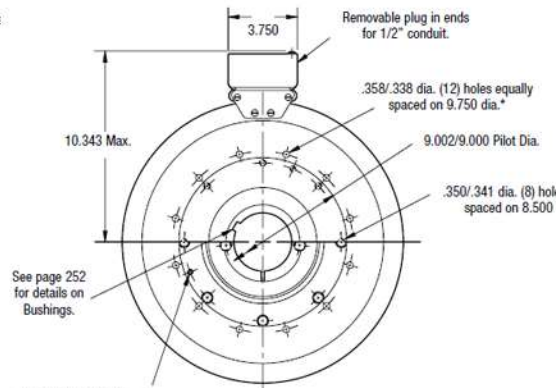
Unit Size	SF-1525, H.T.	
	Wt. (lbs.)	Inertia (lbs.ft. ²)
Field	29.500
Rotor	20.493	5.866
Rotor Hub	4.963	.323
Bushing: Max. Bore to	3.234	.071
Unit Size.....	6.345	.099
Armature & Splined Adapter.....	22.528	4.498
Armature & Pins
Splined Hub	2.792	.069

SF-1525 HT Flange Mounted High Torque

Drawing I-25627



ARMATURE VIEW



FIELD VIEW

See page 252 for details on Bushings.
5/16-18 UNC-2B (2) holes equally spaced for removal of rotor from hub.

Item	Description	Part Number	Qty.
1	Splined Hub	540-0148	1
2	Accessory, Mounting	5202-101-001	3
3	Armature & Adapter Assembly	5204-111-004	1
3-1	Armature	5324-111-034	1
3-2	Splined Adapter	104-0011	1
3-3	Autogap Accessory	5323-101-002	1
3-4	Screw	797-0342	8
3-5	Locknut	661-0004	8
3-6	Retainer Plate	686-0003	1
3-7	Spacer	748-0333	8
4	Field & Rotor Assembly		1
	90 Volt	5204-452-015	
4-1	Rotor	5204-751-001	1
4-2	Field		1
	90 Volt	5204-451-090	
4-3	Retainer Ring	748-0114	1
4-4	Ball Bearing	166-0163	1
4-5	Retainer Ring	748-0583	1
4-6	Rotor Hub	540-1306	1

Item	Description	Part Number	Qty.
4-7	Buttonhead Screw	797-1261	8
4-8	Ring Adapter	748-1048	1
4-9	Lockwasher	950-0359	6
4-10	Sockethead Screw	797-0424	6
5	Bushing*	180-0223 to 180-0256	1
6	Conduit Box	5200-101-012	1

Shaft Size	Keyway Size	Bushing Warner Electric			
		Shaft Size	Keyway Size		
15/16	1/4 x 1/8	180-0223	11 1/16	3/8 x 3/16	180-0235
1	1/4 x 1/8	180-0224	1 3/4	3/8 x 3/16	180-0236
1 1/16	1/4 x 1/8	180-0225	1 13/16	1/2 x 1/4	180-0237
1 1/8	1/4 x 1/8	180-0226	1 7/8	1/2 x 1/4	180-0238
1 3/16	1/4 x 1/8	180-0227	1 15/16	1/2 x 1/4	180-0239
1 1/4	1/4 x 1/8	180-0228	2	1/2 x 1/4	180-0240
1 5/16	5/16 x 5/32	180-0229	2 1/16	1/2 x 1/4	180-0241
1 3/8	5/16 x 5/32	180-0230	2 1/8	1/2 x 1/4	180-0242
1 7/16	3/8 x 3/16	180-0231	2 3/16	1/2 x 1/4	180-0243
1 1/2	3/8 x 3/16	180-0232	2 1/4	1/2 x 1/4	180-0244
1 9/16	3/8 x 3/16	180-0233	2 5/16	5/8 x 5/16	180-0245
1 5/8	3/8 x 3/16	180-0234	2 3/8	5/8 x 5/16	180-0246
			2 7/16	5/8 x 5/16	180-0247
			2 1/2	5/8 x 5/16	180-0248
			2 9/16	5/8 x 5/16	180-0249
			2 5/8	5/8 x 5/16	180-0250
			2 11/16	5/8 x 5/16	180-0251
			2 3/4	5/8 x 5/16	180-0252
			2 13/16	3/4 x 3/8	180-0253
			2 7/8	3/4 x 3/8	180-0254
			2 15/16	3/4 x 3/8	180-0255
			3	3/4 x 3/8	180-0256