

# SF Series Clutch

## SF-170 Flange Mounted

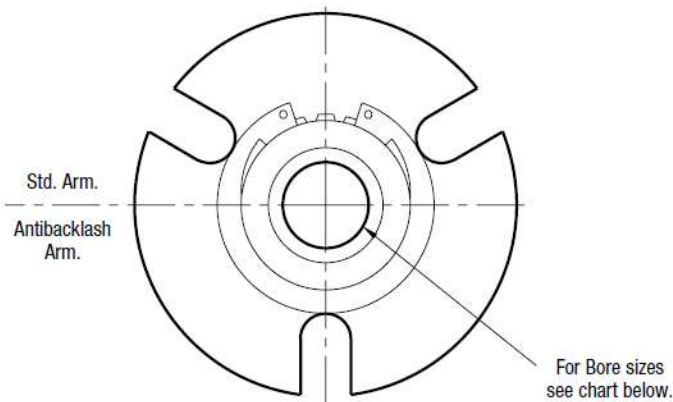
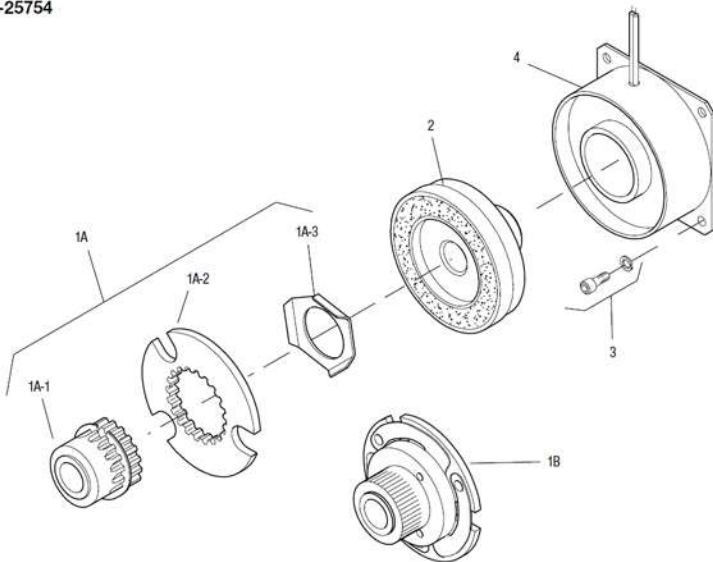


Unit Size	SF-170, F.M.	
	Wt. (lbs.)	Inertia (lbs.in. <sup>2</sup> )
Field .....	.250	.....
Rotor .....	.127	.033
Armature .....	.031	.014
Armature Hub.....	.071	.00518
Antibacklash Armature ..	.....	.025

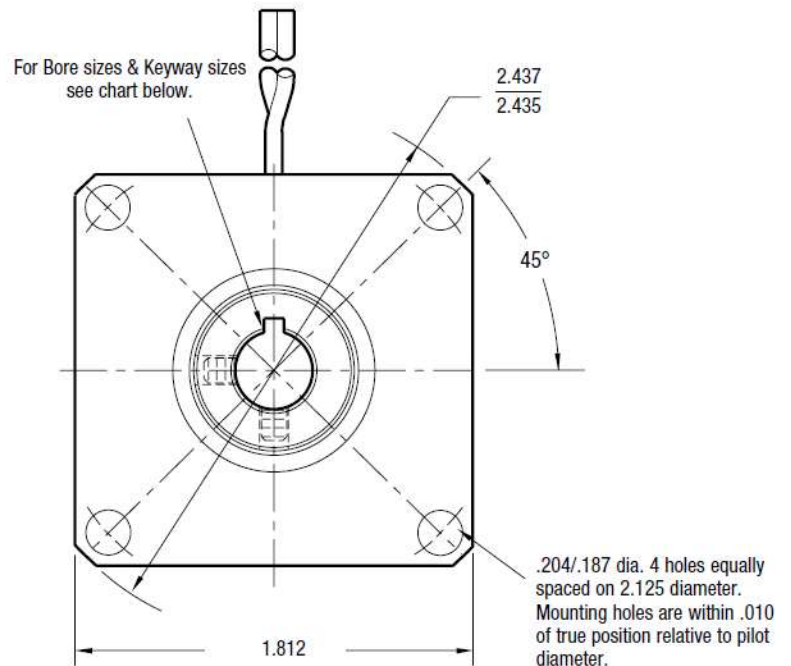
Item	Description	Part Number	Qty.
1A	Armature and Hub		
1A-1	Armature Hub		1
	1/4" Bore	5123-541-002	
	5/16" Bore	5123-541-003	
	3/8" Bore	5123-541-004	
1A-2	Armature	110-0111	1
1A-3	Release Spring	808-0019	1
1B	Antibacklash Armature		1
	1/4" Bore	5603-111-033	
	5/16" Bore	5603-111-034	
	3/8" Bore	5603-111-035	
2	Rotor		1
	1/4" Bore	5603-751-028	
	5/16" Bore	5603-751-029	
	3/8" Bore	5603-751-030	
3	Mounting Accessory	5102-101-001	1
4	Field		1
	6 Volt	5603-451-047	
	24 Volt	5603-451-049	
	90 Volt	5603-451-051	

Drawing I-25754

### SF-170 Flange Mounted



**ARMATURE VIEW**



**FIELD VIEW**