

SF Series Clutch

SF-250 Bearing Mounted

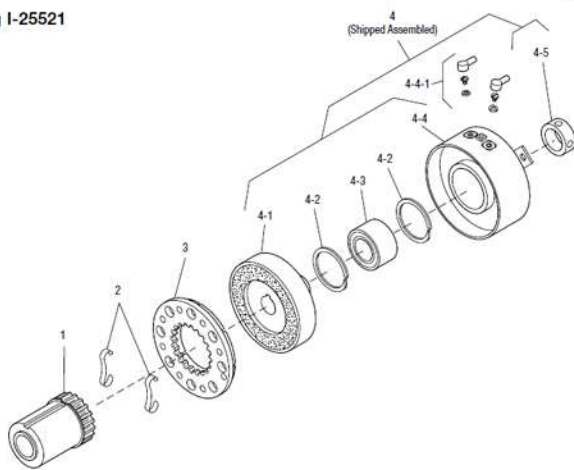


Unit Size	SF-250 B.M.	
	Wt. (lbs.)	Inertia (lbs.in. ²)
Field & Rotor Assembly	1.00	.253
Field.....	.651
Rotor.....	.348	.253
Set Collar.....	.029	.004
Armature.....	.234	.255
Armature Hub.....	.557	.202
Antibacklash Armature293

Item	Description	Part Number	Qty.
1	Armature Hub		1
	3/8" Bore	5124-541-002	
	1/2" Bore	5124-541-003	
	5/8" Bore	5124-541-005	
2	Release Spring Optional	5103-101-003	1
3	Armature	5124-111-001	1
4	Field and Rotor Assembly		1
	6 Volt - 3/8" Bore	5103-452-002	
	24 Volt - 3/8" Bore	5103-452-004	
	90 Volt - 3/8" Bore	5103-452-007	
	6 Volt - 1/2" Bore	5103-452-016	
	24 Volt - 1/2" Bore	5103-452-018	
	90 Volt - 1/2" Bore	5103-452-021	
4-1	Rotor		1
	3/8" Bore	5103-751-014	
	1/2" Bore	5103-751-016	
4-2	Retainer Ring	748-0371	2
4-3	Ball Bearing	166-0108	1
4-4	Field		1
	6 Volt	5103-451-018	
	24 Volt	5103-451-020	
	90 Volt	5103-451-023	
4-4-1	Terminal Accessory	5103-101-002	1
4-5*	Set Collar	266-0005	1

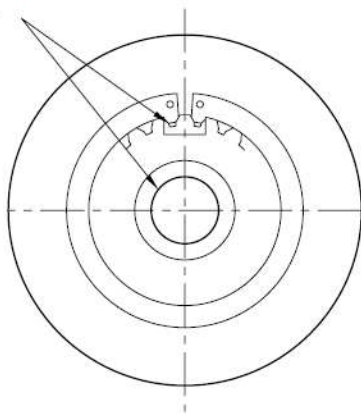
Drawing I-25521

SF-250 Bearing Mounted

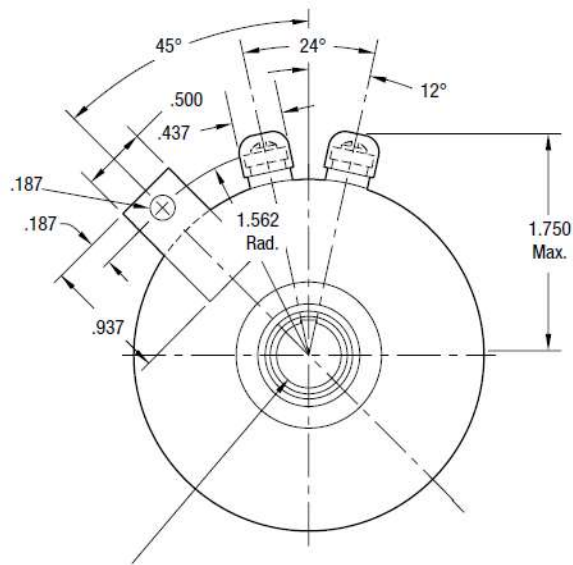


*Used with 1/2" Bore only.

For Bore & Keyway sizes see chart below.



ARMATURE VIEW



For Bore & Keyway sizes see to the right.

FIELD VIEW