

SF Series Clutch

SF-250 Flange Mounted

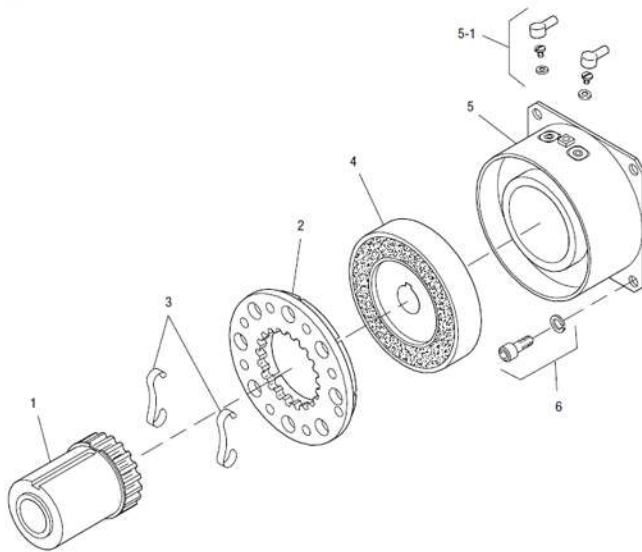


Unit Size	SF-250, F.M.	
	Wt. (lbs.)	Inertia (lbs.in. ²)
Field678
Rotor367	.267
Armature234	.255
Armature Hub.....	.111	.030
Antibacklash Armature293

Item	Description	Part Number	Qty.	
1	Armature Hub		1	
	3/8" Bore	5124-541-002		
	1/2" Bore	5124-541-003		
2	Armature	5124-111-001	1	
	3	Release Spring	5103-101-003	1
		4	Rotor	
3	3/8" Bore	5103-751-008		
	1/2" Bore	5103-751-010		
	5	Field		1
4	6 Volt	5103-451-002		
	24 Volt	5103-451-004		
	90 Volt	5103-451-007		
5-1	Terminal Accessory	5103-101-002	1	
6	Mounting Accessory	5102-101-001	1	

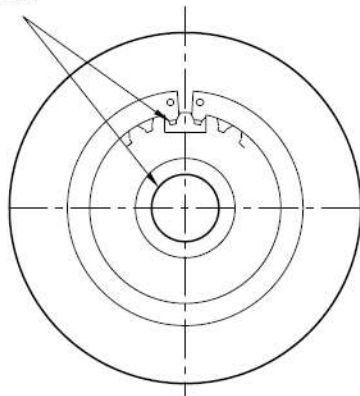
Drawing I-25520

SF-250 Flange Mounted

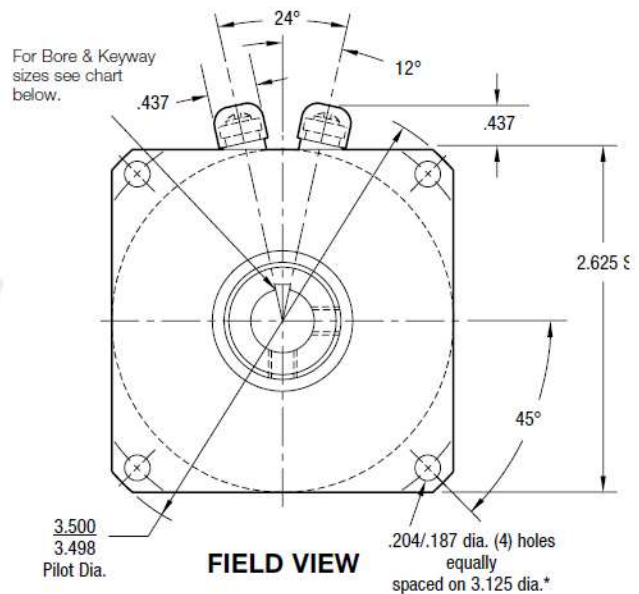


Warner
AutomatedPT

For Bore & Keyway sizes see chart below.



ARMATURE VIEW



FIELD VIEW