

# SF Series Clutch

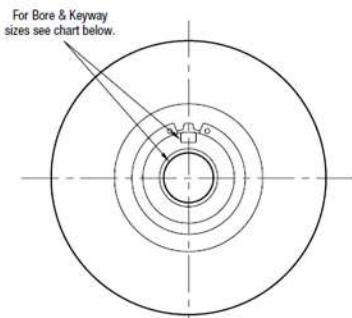
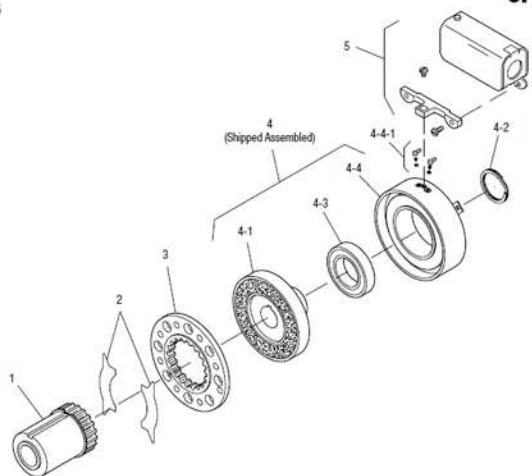
## SF-400 Bearing Mounted



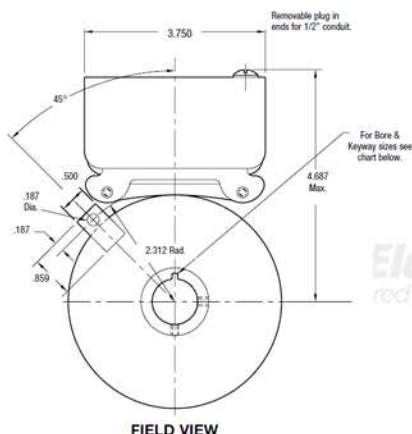
Unit Size	SF-400, F.M.	
	Wt. (lbs.)	Inertia (lbs.in. <sup>2</sup> )
Field .....	2.433	.....
Rotor .....	1.386	2.152
Armature .....	.670	1.56
Armature Hub.....	.540	.213
Antibacklash Armature .	.....	1.751

Drawing I-25696

### SF-400 Bearing Mounted



ARMATURE VIEW



FIELD VIEW

Item	Description	Part Number	Qty.
1	Armature Hub		1
	1/2" Bore	5125-541-002	
	5/8" Bore	5125-541-003	
	3/4" Bore	5125-541-004	
2	Release Spring Optional	5104-101-003	1
3	Armature	5125-111-001	1
4	Field and Rotor Assembly		1
	6 Volt - 1/2" Bore	5104-452-052	
	24 Volt - 1/2" Bore	5104-452-053	
	90 Volt - 1/2" Bore	5104-452-054	
	6 Volt - 5/8" Bore	5104-452-055	
	24 Volt - 5/8" Bore	5104-452-056	
	90 Volt - 5/8" Bore	5104-452-057	
	6 Volt - 3/4" Bore	5104-452-058	
	24 Volt - 3/4" Bore	5104-452-059	
	90 Volt - 3/4" Bore	5104-452-060	
	6 Volt - 7/8" Bore	5104-452-061	
	24 Volt - 7/8" Bore	5104-452-062	
4-1	90 Volt - 7/8" Bore	5104-452-063	
	6 Volt - 1" Bore	5104-452-064	
	24 Volt - 1" Bore	5104-452-065	
4-1	90 Volt - 1" Bore	5104-452-066	
	Rotor		1
	1/2" Bore	5104-751-043	
Item	5/8" Bore	5104-751-044	
	3/4" Bore	5104-751-045	
	7/8" Bore	5104-751-046	
	1" Bore	5104-751-047	
4-2	Retainer Ring	748-0018	1
4-3	Ball Bearing	166-0150	1
4-4	Field		1
	6 Volt	5104-451-038	
	24 Volt	5104-451-039	
	90 Volt	5104-451-040	
4-4-1	Terminal Accessory	5103-101-002	1
5	Conduit Box	5200-101-010	1