

SF Series Clutch

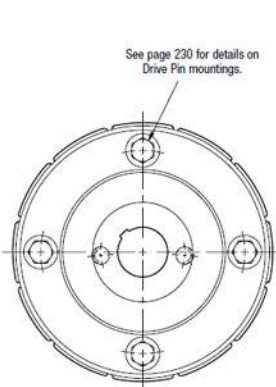
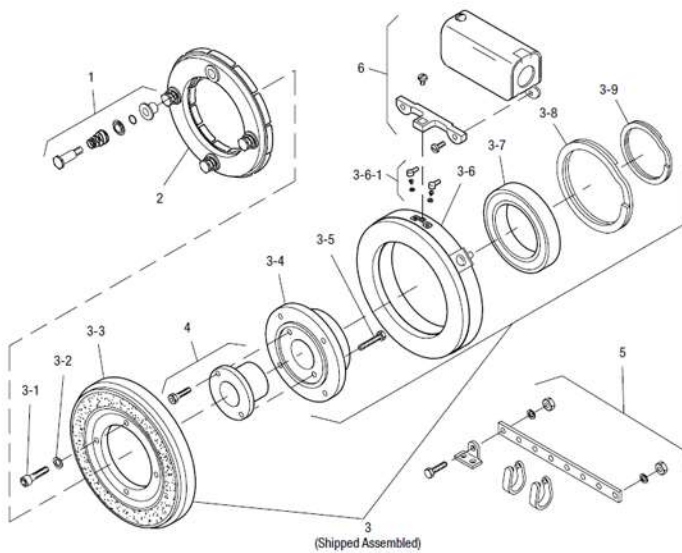
SF-650 Bearing Mounted



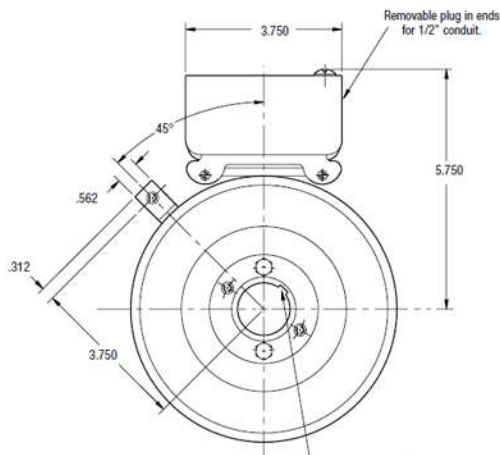
Unit Size	SF-650, B.M.	
	Wt. (lbs.)	Inertia (lbs.ft. ²)
Field & Rotor Assembly	9.8	.21
Field.....	4.4
Rotor.....	2.3	.20
Rotor Hub.....	1.8	.01
Armature & Pins.....	1.8	.08

Drawing I-25750

SF-650 Bearing Mounted



ARMATURE VIEW



FIELD VIEW

Item	Description	Part Number	Qty.
1	Autogap Accessory	5181-101-010	4
2	Armature	5281-111-002	1
3	Field and Rotor Assembly		1
	6 Volt	5207-452-002	
	24 Volt	5207-452-005	
	90 Volt	5207-452-004	
3-1	Capscrew	797-0083	4
3-2	Lockwasher	950-0355	4
3-3	Rotor Assembly	5281-751-001	1
3-4	Rotor Hub	540-0614	1
3-5	Reverse Mounting Accessory	5201-101-005	1
3-6	Field		1
	6 Volt	5281-451-002	
	24 Volt	5281-451-004	
	90 Volt	5281-451-005	
3-6-1	Terminal Accessory	5311-101-001	1
3-7	Ball Bearing	166-0104	1
3-8	Retainer Ring - External	748-0004	1
3-9	Retainer Ring -Internal	748-0104	1

Item	Description	Part Number	Qty.
4	Bushing*		1
	1/2" to 1-1/2" Bore	180-0002 to 180-0018	
†5	Torque Arm Accessory	5207-101-003	1
6	Conduit Box	5200-101-010	1

Shaft Size	Keyway Size	Warner Electric
1/2	1/8 X 1/16	180-0002
9/16	1/8 X 1/16	180-0003
5/8	3/16 X 3/32	180-0004
11/16	3/16 X 3/32	180-0005
3/4	3/16 X 3/32	180-0006
13/16	3/16 X 3/32	180-0007
7/8	3/16 X 3/32	180-0008
15/16	1/4 X 1/8	180-0009
1	1/4 X 1/8	180-0010
1 1/16	1/4 X 1/8	180-0011
1 1/8	1/4 X 1/8	180-0012
1 3/16	1/4 X 1/8	180-0013
1 1/4	1/4 X 1/8	180-0014
1 5/16	5/16 X 5/32	180-0015
1 3/8	5/16 X 5/32	180-0016
1 7/16	3/8 X 3/16	180-0017
1 1/2	3/8 X 3/16	180-0018