

SF Series Clutch

SF-650 Flange Mounted

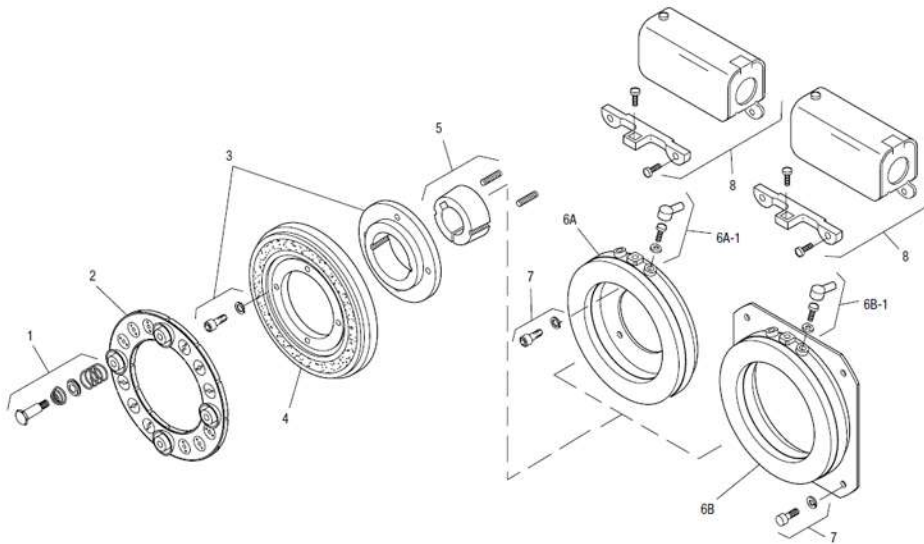


Unit Size	SF-650, F.M.	
	Wt. (lbs.)	Inertia (lbs.ft. ²)
Field & Rotor Assembly
Field.....	4.4
Rotor	2.3	.20
Rotor Hub	1.8	.01
Armature & Pins	1.8	.08

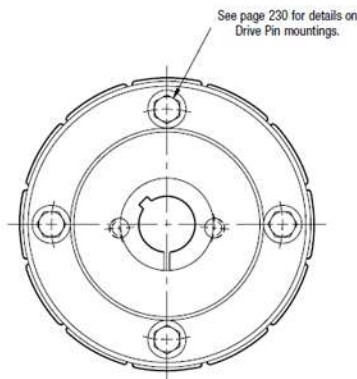
Item	Description	Part Number	Qty.
1	Armature Accessory	5181-101-010	4
2	Armature	5281-111-002	1
3	Rotor Hub & Mounting Acc.	5207-101-005	1
4	Rotor	5281-751-001	1
5	Bushing*		1
	1/2" to 1-5/8" Bore	180-0326 to 180-0344	
6A	Field - Inside Mounted		1
	6 Volt	5207-451-009	
	24 Volt	5207-451-012	
	90 Volt	5207-451-011	
6A-1	Terminal Accessory	5311-101-001	1
6B	Field - Outside Mounted		1
	6 Volt	5207-451-003	
	24 Volt	5207-451-006	
	90 Volt	5207-451-005	
6B-1	Terminal Accessory	5311-101-001	1
7	Mounting Accessory	5321-101-002	1
8	Conduit Box	5200-101-010	1

Drawing I-25749

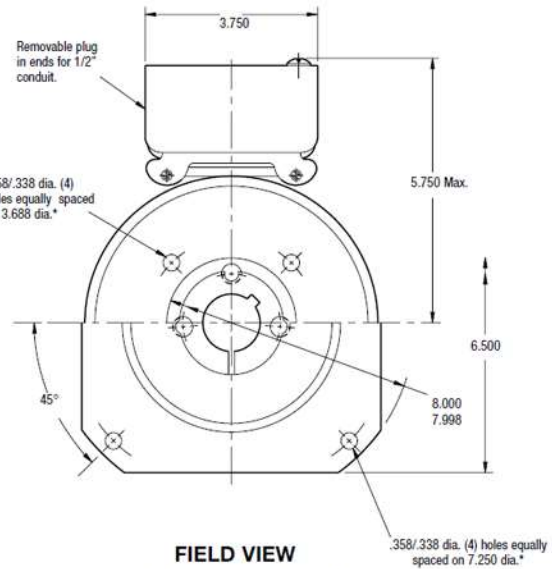
SF-650 Flange Mounted



Unit Size	SF-650		
Voltage - DC	6	24	90
Resistance @ 20°C - Ohms	1.16	17.7	225
Current - Amperes	5.19	1.36	.4
Watts	31	33	36
Coil Build-up - milliseconds	110	115	120
Coil Decay - milliseconds	50	50	50



ARMATURE VIEW



FIELD VIEW
(Inside & Outside Mounted)