

Series SF Clutch

SF-825 Flange Mounted Heavy Duty

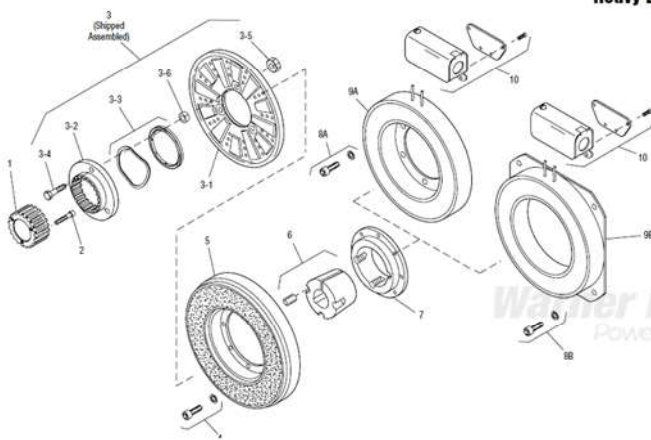


Unit Size	SF-825 F.M.	
	Wt. (lbs.)	Inertia (lbs.ft. ²)
Field & Rotor Assembly ..		
Field.....	8.750
Rotor	5.148	.381
Rotor Hub311	.003
Armature & Pins	4.783	.323
Bushing: Max. Bore to ..	.315	.0015
Min. Bore.....	.583	.0018

Item	Description	Part #	Qty.
1	Splined Hub	540-0146	1
2	Mounting Accessory	5201-101-001	1
3	Armature & Splined Adapter	5201-111-001	1
3-1	Armature	5321-111-022	1
3-2	Splined Adapter	104-0008	1
3-3	Autogap Accessory	5321-101-006	1
3-4	Screw	797-0341	3
3-5	Locknut	661-0004	3
3-6	Spacer	748-0333	3
4	Mounting Accessory	5201-101-007	1
5	Rotor		1
	Standard Friction Material	5201-751-003	
	†Optional LK Facing	5201-751-007	
6	Bushing, Taperlock*	180-0101 to 180-0113	1
7	Rotor Hub	540-0013	1
8A	Mounting Accessory, I.M.	5321-101-001	1
8B	Mounting Accessory, O.M.	5321-101-002	1
9A	Field, Inside Mounted		1
	6 Volt	5201-451-006	
	24 Volt	5201-451-008	
	90 Volt	5201-451-010	

Drawing I-25561

SF-825 Flange Mounted Heavy Duty



Item	Description	Part #	Qty.
9B	Field, Outside Mounted		1
	6 Volt	5201-451-014	
	24 Volt	5201-451-016	
	90 Volt	5201-451-018	
10	Conduit Box	5200-101-012	1

Bushing Part Numbers

Shaft Size	Keyway Size	Warner Electric
1/2	1/8 x 1/16	180-0101
9/16	1/8 x 1/16	180-0102
5/8	3/16 x 3/32	180-0103
1 1/16	3/16 x 3/32	180-0104
3/4	3/16 x 3/32	180-0105
13/16	3/16 x 3/32	180-0106
7/8	3/16 x 3/32	180-0107
15/16	1/4 x 1/8	180-0108
1	1/4 x 1/8	180-0109
1 1/16	1/4 x 1/8	180-0110
1 1/8	1/4 x 1/8	180-0111
1 3/16	1/4 x 1/8	180-0112
1 1/4	1/4 x 1/8	180-0113

.271/.263 dia. 5 holes (hub) equally spaced on 2.015 dia. Mounting holes are within .003 of true position relative to pilot dia.

