

SFC Series Clutch Coupling

SFC-1000 Flange Mounted

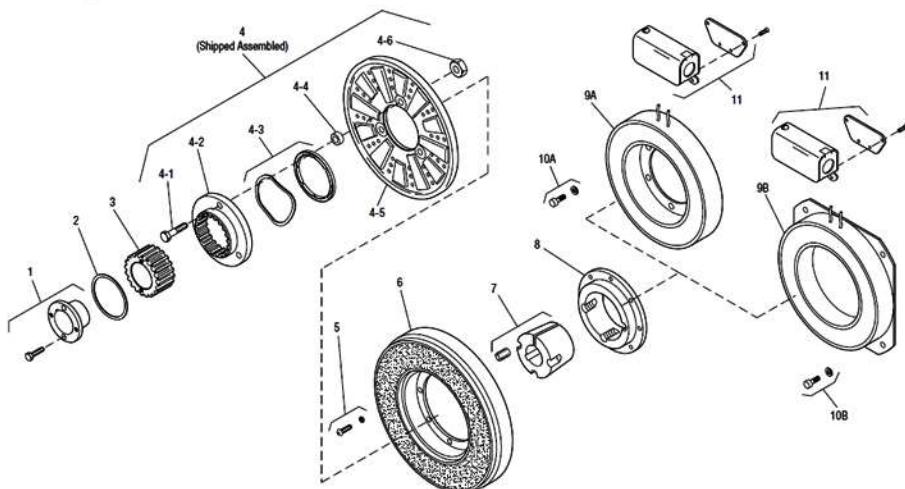


Unit Size	SFC-1000, F.M.	
	Wt. (lbs.)	Inertia (lbs.ft. ²)
Field	11.125
Rotor	7.880	.894
Rotor Hub	1.089	.027
Bushing-Rotor Hub: Max. Bore to810	.008
Min. Bore	1.685	.011
Splined Hub	3.547	.077
Bushing-Splined Hub: Max. Bore to	2.064	.033
Min. Bore	4.171	.048

Item	Description	Part Number	Qty.
1	Bushing*		1
	3/4" to 2-11/16" Bore	180-0026 to 180-0057	
2	Retainer Ring	748-0007	1
3	Splined Hub	540-0062	1
4	Armature & Splined Adapter	5202-111-001	1
4-1	Capscrew	797-0341	3
4-2	Splined Adapter	104-0009	1
4-3	Autogap Accessory	5322-101-004	1
4-4	Spacer	748-0333	3
4-5	Armature	5322-111-036	1
4-6	Locknut	661-0004	3
5	Mounting Accessory	5201-101-007	1
6	Rotor		1
	Standard Friction Material	5202-751-003	
	†Optional LK Facing	5202-751-007	
7	Bushing*		1
	1/2" to 2" Bore	180-0155 to 180-0179	
8	Rotor Hub	540-0315	1
9A	Field - Inside Mounted		1
	6 Volt	5202-451-004	
	24 Volt	5202-451-006	
	90 Volt	5202-451-007	

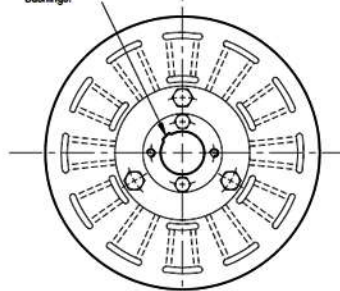
Drawing I-25584

SFC-1000 Flange Mounted

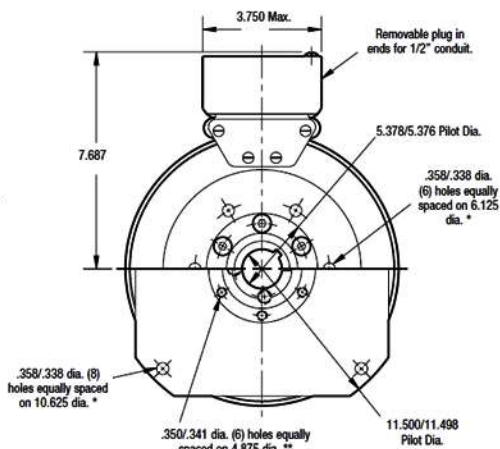


Item	Description	Part Number	Qty.
9B	Field - Outside Mounted		1
	6 Volt	5202-451-011	
	24 Volt	5202-451-013	
	90 Volt	5202-451-014	
10A	Mounting Accessory - I.M.	5321-101-001	1
10B	Mounting Accessory - O.M.	5321-101-002	2
11	Conduit Box	5200-101-012	1

See page 252 for details on Bushings.



ARMATURE VIEW



FIELD VIEW
(Inside & Outside Mounted)

Shaft Size	Keyway Size	Bushing N	
		Warner Electric	
3/4	3/16 x 3/32	180-0026	2
13/16	3/16 x 3/32	180-0027	2 1/16
7/8	3/16 x 3/32	180-0028	2 1/8
1 1/16	1/4 x 1/8	180-0029	2 3/16
1	1/4 x 1/8	180-0030	2 1/4
1 1/8	1/4 x 1/8	180-0031	2 5/16
1 1/4	1/4 x 1/8	180-0032	2 3/8
1 3/8	1/4 x 1/8	180-0033	2 7/16
1 1/2	1/4 x 1/8	180-0034	2 1/2
1 5/8	5/16 x 5/32	180-0035	2 9/16
1 3/4	5/16 x 5/32	180-0036	2 5/8
1 7/8	3/8 x 3/16	180-0037	2 3/4
2	3/8 x 3/16	180-0038	2 11/16
1 15/16	3/8 x 3/16	180-0039	
2 1/16	3/8 x 3/16	180-0040	
2 1/8	3/8 x 3/16	180-0041	
2 1/4	3/8 x 3/16	180-0042	
2 3/8	1/2 x 1/4	180-0043	
2 1/2	1/2 x 1/4	180-0044	
2 5/8	1/2 x 1/4	180-0045	
3	1/2 x 1/4	180-0046	
3 1/8	1/2 x 1/4	180-0047	
3 1/4	1/2 x 1/4	180-0048	
3 3/8	1/2 x 1/4	180-0049	
3 1/2	1/2 x 1/4	180-0050	
3 5/8	5/8 x 5/16	180-0051	
4	5/8 x 5/16	180-0052	
4 1/8	5/8 x 5/16	180-0053	
4 1/4	5/8 x 5/16	180-0054	
4 3/8	5/8 x 5/16	180-0055	
4 1/2	5/8 x 5/16	180-0056	
4 5/8	5/8 x 5/16	180-0057	