

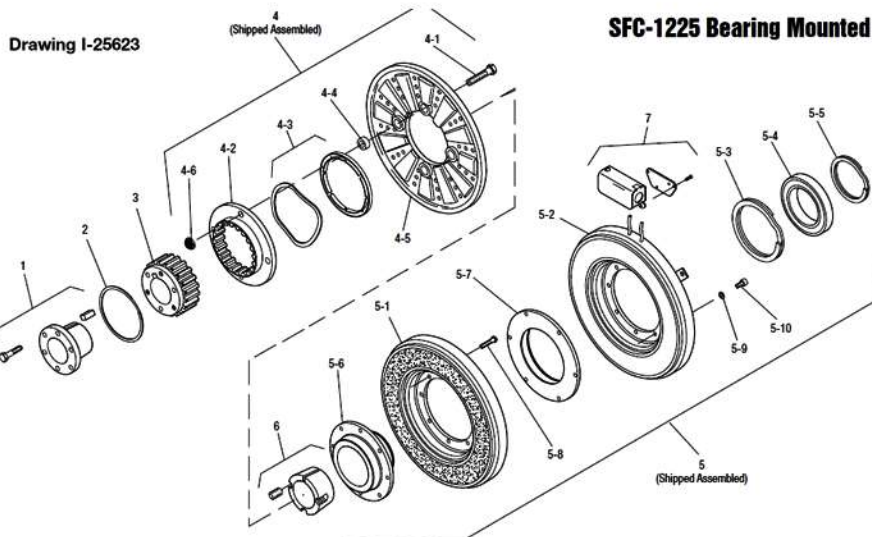
SFC Series Clutch Coupling

SFC-1225 Bearing Mounted



Unit Size	SFC-1225, B.M.	
	Wt. (lbs.)	Inertia (lbs.ft. ²)
Field & Rotor Assembly	49.455	2.75
Field.....	21.250
Field Hub & Brg.	5.800
Rotor	14.005	2.421
Rotor Hub.....	8.400	.330
Bushing - Rotor Hub: Max. Bore to..	1.533	.022
Min. Bore.....	3.575	0.31
Armature & Splined Adapter.....	13.408	1.817
Splined Hub	3.582	.077
Bushing - Splined Hub: Max. Bore to..	2.064	.033
Min. Bore.....	4.171	.048

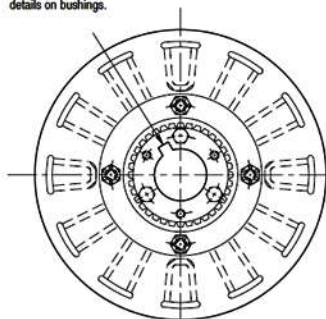
Item	Description	Part Number	Qty.
1	Bushing*		1
	3/4" to 2-11/16" Bore	180-0026 to 180-0057	
2	Retainer Ring	748-0005	1
3	Splined Hub	540-0064	1
4	Armature & Splined Adapter	5203-111-001	1
4-1	Capscrew	797-0356	4
4-2	Splined Adapter	104-0010	1
4-3	Autogap Accessory	5323-101-002	1
4-4	Spacer	266-0004	4
4-5	Armature	5323-111-034	1
4-6	Locknut	661-0005	4
5	Field & Rotor Assembly		1
	6 Volt	5203-452-009	
	24 Volt	5203-452-011	
	90 Volt	5203-452-012	
5-1	Rotor		1
	Standard Friction Material	5203-751-001	
	†Optional LK Facing	5203-751-004	
5-2	Field		1
	6 Volt	5203-451-034	
	24 Volt	5203-451-036	
	90 Volt	5203-451-037	
5-3	Retainer Ring	748-0119	1
5-4	Ball Bearing	166-1047	1
Item	Description	Part Number	Qty.
5-5	Retainer Ring	748-0011	1
5-6	Rotor Hub	540-1304	1
5-7	Ring Adapter	748-0591	1
5-8	Buttonhead Capscrew	797-1261	6
5-9	Lockwasher	950-0359	6
5-10	Sockethead Capscrew	797-0424	6
6	Bushing*		1
	1/2" to 2-1/2" Bore	180-0185 to 180-0217	
7	Conduit Box	5200-101-012	1



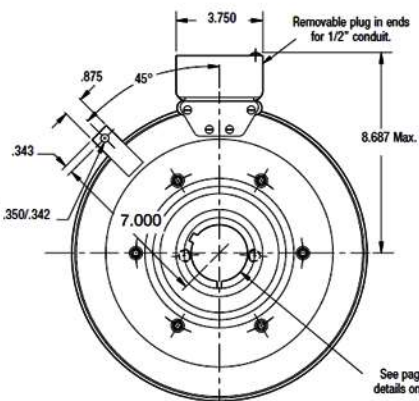
Drawing I-25623

SFC-1225 Bearing Mounted

See page 252 for details on bushings.



ARMATURE VIEW



FIELD VIEW

See page 252 for details on bushings.

Shaft Size	Keyway Size	Bushing			
		Warner Electric			
3/4	3/16 x 3/32	180-0026	15/8	3/8 x 3/16	180-0040
13/16	3/16 x 3/32	180-0027	11/16	3/8 x 3/16	180-0041
7/8	3/16 x 3/32	180-0028	13/16	3/8 x 3/16	180-0042
15/16	1/4 x 1/8	180-0029	113/16	1/2 x 1/4	180-0043
1	1/4 x 1/8	180-0030	17/8	1/2 x 1/4	180-0044
1 1/16	1/4 x 1/8	180-0031	115/16	1/2 x 1/4	180-0045
1 1/8	1/4 x 1/8	180-0032	2	1/2 x 1/4	180-0046
1 3/16	1/4 x 1/8	180-0033	21/16	1/2 x 1/4	180-0047
1 1/4	1/4 x 1/8	180-0034	21/8	1/2 x 1/4	180-0048
1 5/16	5/16 x 5/32	180-0035	23/16	1/2 x 1/4	180-0049
1 3/8	5/16 x 5/32	180-0036	21/4	1/2 x 1/4	180-0050
1 7/16	3/8 x 3/16	180-0037	25/16	5/8 x 5/16	180-0051
1 1/2	3/8 x 3/16	180-0038	23/8	5/8 x 5/16	180-0052
1 9/16	3/8 x 3/16	180-0039	27/16	5/8 x 5/16	180-0053
			21/2	5/8 x 5/16	180-0054
			29/16	5/8 x 5/16	180-0055
			25/8	5/8 x 5/16	180-0056
			211/16	5/8 x 5/16	180-0057