

SFC Series Clutch Coupling

SFC-1225 Flange Mounted

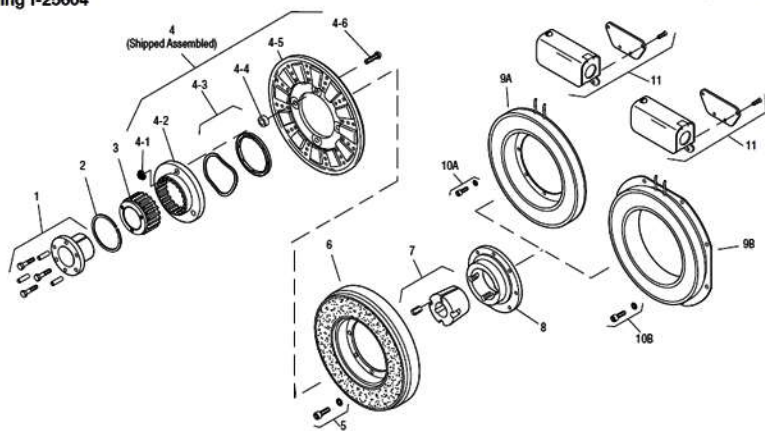


Unit Size	SFC-1225, F.M.	
	Wt. (lbs.)	Inertia (lbs.ft. ²)
Field	21.250
Rotor	14.005	2.421
Rotor Hub	2.181	.081
Bushing-Rotor Hub: Max. Bore to	1.553	.022
Min. Bore	3.575	.031
Splined Hub	3.582	.077
Bushing-Splined Hub: Max. Bore to	2.064	.033
Min. Bore	4.171	.048

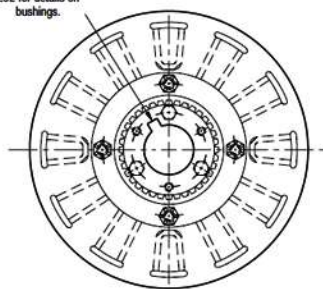
Item	Description	Part Number	Qty.
1	Bushing*		1
	3/4" to 2-11/16" Bore	180-0026 to 180-0057	
2	Retainer Ring	748-0005	1
3	Splined Hub	540-0064	1
4	Armature & Splined Adapter	5203-111-001	1
4-1	Locknut	661-0004	4
4-2	Splined Adapter	104-0010	1
4-3	Autogap Accessory	5323-101-002	1
4-4	Spacer	266-0004	4
4-5	Armature	5323-111-034	1
4-6	Screw	797-0356	4
5	Mounting Accessory	5321-101-002	2
6	Rotor		1
	Standard Friction Material	5203-751-001	
	†Optional LK Facing	5203-751-004	
7	Bushing*		1
	1/2" to 2-1/2" Bore	180-0185 to 180-0217	
8	Rotor Hub	540-0318	1
9A	Field - Inside Mounted		1
	6 Volt	5203-451-002	
	24 Volt	5203-451-006	
	90 Volt	5203-451-005	
9B	Field - Outside Mounted		1
	6 Volt	5203-451-010	
	24 Volt	5203-451-013	
	90 Volt	5203-451-011	

Drawing I-25604

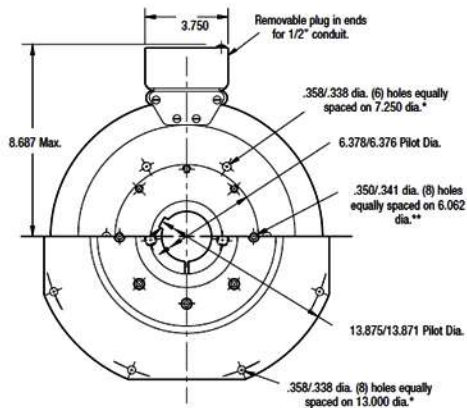
SFC-1225 Flange Mounted



See page 252 for details on bushings.



ARMATURE VIEW



FIELD VIEW
(Inside & Outside Mounted)

Item	Description	Part Number	Qty.
10A	Mounting Accessory - I.M.	5321-101-001	1
10B	Mounting Accessory - O.M.	5321-101-002	2
11	Conduit Box	5200-101-012	1

Shaft Size	Keyway Size	Bushing	
		Warner Electric	
1/2	1/8 x 1/16	180-0185	13/4
9/16	1/8 x 1/16	180-0186	1 13/16
5/8	3/16 x 3/32	180-0187	17/8
11/16	3/16 x 3/32	180-0188	1 15/16
3/4	3/16 x 3/32	180-0189	2
13/16	3/16 x 3/32	180-0190	2 1/16
7/8	3/16 x 3/32	180-0191	2 1/8
15/16	1/4 x 1/8	180-0192	2 3/16
1	1/4 x 1/8	180-0193	2 1/4
1 1/16	1/4 x 1/8	180-0194	2 5/16
1 1/8	1/4 x 1/8	180-0195	2 3/8
1 3/16	1/4 x 1/8	180-0196	2 7/16
1 1/4	1/4 x 1/8	180-0197	2 1/2
1 5/16	5/16 x 5/32	180-0198	
1 3/8	5/16 x 5/32	180-0199	
1 7/16	3/8 x 3/16	180-0200	
1 1/2	3/8 x 3/16	180-0201	
1 9/16	3/8 x 3/16	180-0202	
1 5/8	3/8 x 3/16	180-0203	
1 11/16	3/8 x 3/16	180-0204	

180-0205	3/8 x 3/16	13/4
180-0206	1/2 x 1/4	1 13/16
180-0207	1/2 x 1/4	17/8
180-0208	1/2 x 1/4	1 15/16
180-0209	1/2 x 1/4	2
180-0210	1/2 x 1/4	2 1/16
180-0211	1/2 x 1/4	2 1/8
180-0212	1/2 x 1/4	2 3/16
180-0213	1/2 x 1/4	2 1/4
180-0214	5/8 x 5/16	2 5/16
180-0215	5/8 x 5/16	2 3/8
180-0216	5/8 x 5/16	2 7/16
180-0217	5/8 x 5/16	2 1/2