

SFC Series Clutch Coupling

SFC-1525 Bearing Mounted



Unit Size	SFC-1525, H.T.	
	Wt. (lbs.)	Inertia (lbs.ft. ²)
Field	29.500
Rotor	20.493	5.866
Rotor Hub	4.963	.323
Bushing-Rotor Hub: Max. Bore to	3.234	.071
Min. Bore	6.345	.099
Splined Hub.....	3.582	.077
Bushing-Splined Hub: Max. Bore to	2.064	.033
Min. Bore	4.171	.048

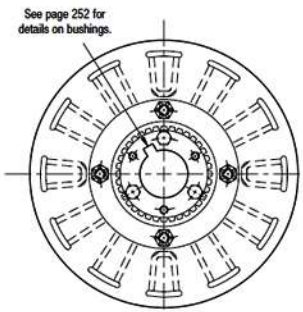
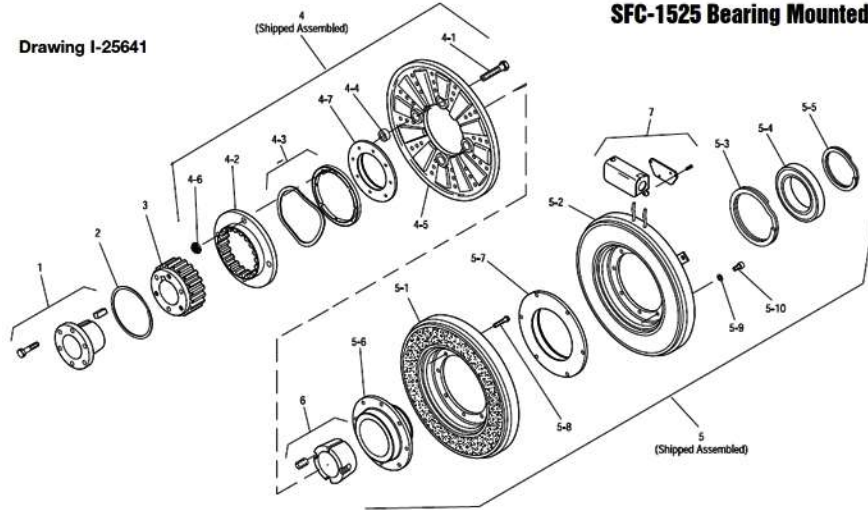
Item	Description	Part Number	Qty.
1	Bushing*		1
	3/4" to 2-11/16" Bore	180-0026 to 180-0057	
2	Retainer Ring	748-0005	1
3	Splined Hub	540-0064	1
4	Armature & Splined Adapter	5204-111-004	1
4-1	Capscrew	797-0342	8
4-2	Splined Adapter	104-0011	1
4-3	Autogap Accessory	5323-101-002	1
4-4	Spacer	748-0333	8
4-5	Armature	5324-111-034	1
4-6	Locknut	661-0004	8
4-7	Retainer Plate	686-0003	1
5	Field & Rotor Assembly		1
	6 Volt	5204-452-009	
	24 Volt	5204-452-011	
	90 Volt	5204-452-012	

5-1	Rotor		1
	Standard Friction Material	5204-751-002	
	†Optional LK Facing	5204-751-004	
5-2	Field		1
	6 Volt	5204-451-084	
	24 Volt	5204-451-086	
	90 Volt	5204-451-087	
5-3	Retainer Ring	748-0114	1
5-4	Ball Bearing	166-0163	1

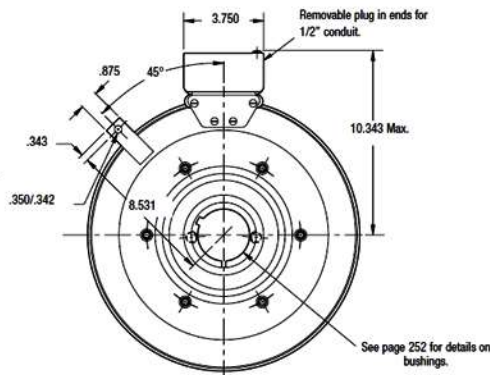
Item	Description	Part Number	Qty.
5-5	Retainer Ring	748-0583	1
5-6	Rotor Hub	540-1306	1
5-7	Ring Adapter	748-1048	1
5-8	Buttonhead Capscrew	797-1261	8
5-9	Lockwasher	950-0359	6
5-10	Sockethead Capscrew	797-0424	6
6	Bushing*		1
	15/16" to 3" Bore	180-0223 to 180-0256	
7	Conduit Box	5200-101-012	1

Drawing I-25641

SFC-1525 Bearing Mounted



ARMATURE VIEW



FIELD VIEW

Shaft Size	Keyway Size	Bushing			
		Warner Electric			
3/4	3/16 x 3/32	180-0026	15/8	3/8 x 3/16	180-0040
13/16	3/16 x 3/32	180-0027	1 1/16	3/8 x 3/16	180-0041
7/8	3/16 x 3/32	180-0028	1 3/4	3/8 x 3/16	180-0042
15/16	1/4 x 1/8	180-0029	1 13/16	1/2 x 1/4	180-0043
1	1/4 x 1/8	180-0030	1 7/8	1/2 x 1/4	180-0044
1 1/16	1/4 x 1/8	180-0031	1 15/16	1/2 x 1/4	180-0045
1 1/8	1/4 x 1/8	180-0032	2	1/2 x 1/4	180-0046
1 3/16	1/4 x 1/8	180-0033	2 1/16	1/2 x 1/4	180-0047
1 1/4	1/4 x 1/8	180-0034	2 1/8	1/2 x 1/4	180-0048
1 5/16	5/16 x 5/32	180-0035	2 3/16	1/2 x 1/4	180-0049
1 3/8	5/16 x 5/32	180-0036	2 1/4	1/2 x 1/4	180-0050
1 7/16	3/8 x 3/16	180-0037	2 5/16	5/8 x 5/16	180-0051
1 1/2	3/8 x 3/16	180-0038	2 3/8	5/8 x 5/16	180-0052
1 9/16	3/8 x 3/16	180-0039	2 7/16	5/8 x 5/16	180-0053
			2 1/2	5/8 x 5/16	180-0054
			2 9/16	5/8 x 5/16	180-0055
			2 5/8	5/8 x 5/16	180-0056
			2 11/16	5/8 x 5/16	180-0057