

SFC Series Clutch Coupling

SFC-170 Bearing Mounted

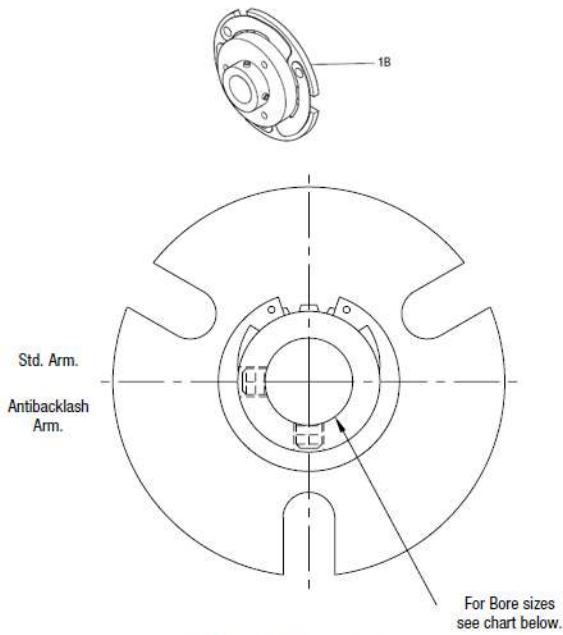
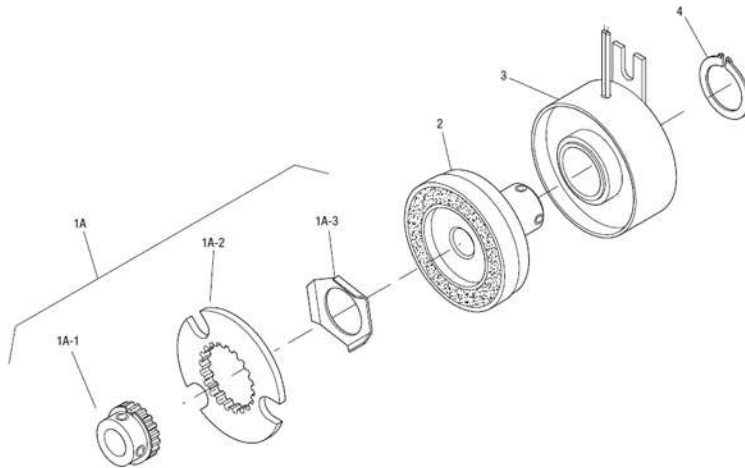


Unit Size	SFC-170, B.M.	
	Wt. (lbs.)	Inertia (lbs.in. ²)
Field & Rotor Assembly ..	.356	.036
Field.....	.218
Rotor.....	.138	.036
Set Collar.....
Armature.....	.031	.014
Armature Hub.....	.032	.00223
Antibacklash Armature024

Item	Description	Part Number	Qty.
1A	Armature and Hub		
1A-1	Armature Hub		1
	1/4" Bore	5102-541-002	
	5/16" Bore	5102-541-003	
	3/8" Bore	5102-541-004	
1A-2	Armature	110-0111	1
1A-3	Release Spring	808-0019	1
1B	Antibacklash Armature		1
	1/4" Bore	5623-111-008	
	5/16" Bore	5623-111-009	
	3/8" Bore	5623-111-010	
2	Rotor		1
	1/4" Bore	5603-751-019	
	5/16" Bore	5603-751-021	
	3/8" Bore	5603-751-020	
3	Field		1
	6 Volt	5603-451-039	
	12 Volt	5603-451-040	
	24 Volt	5603-451-041	
	90 Volt	5603-451-043	
Item	Description	Part Number	Qty.
4	Retainer Ring	748-0024	1

Drawing I-25757

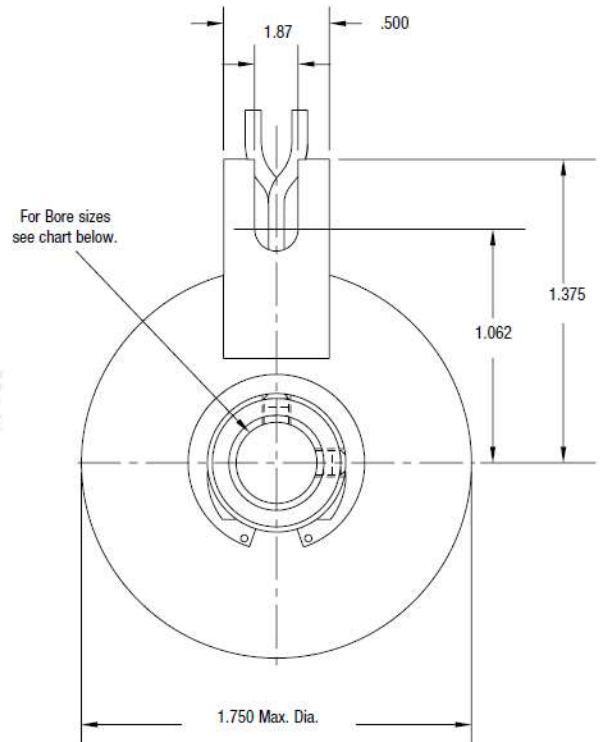
SFC-170 Bearing Mounted



ARMATURE VIEW

Parts
AutomatedPT

Warner E
Power



FIELD VIEW